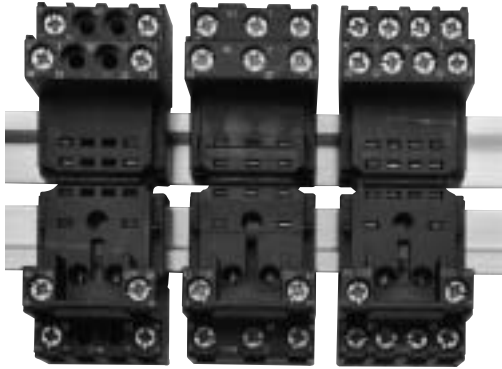


ES SERIES

RELAY SOCKETS



NEW PRODUCT!

DESCRIPTION

8, 11 and 14 Pin Miniature Sockets, DIN Rail Mountable, Finger Safe

ELECTRICAL RATING

• 300 Volts, 10 Amps ; 300 Volts, 12 Amps

CONSTRUCTION

Contacts • Brass, Nickel Plated
Screws • M3 Steel, Nickel Plated, Maximum Wire Gauge #14
Molding • Break Resistant Thermoplastic

AGENCY APPROVALS

• UL recognized, File No. E113714
 • CSA certified, File No. LR26716
 • CE



ORDERING CODE

PART NO.

ES15/2N
 ES15/3N
 ES15/4N

DESCRIPTION TERMINAL TYPE

DPDT, 8 Pin Miniature (Fig. 1) Box Lug
 3PDT, 11 Pin Miniature (Fig. 2) Box Lug
 4PDT, 14 Pin Miniature (Fig. 1) Box Lug

ACCESSORIES

PART NO. DESCRIPTION (Refer to the accessories pages 25-27)

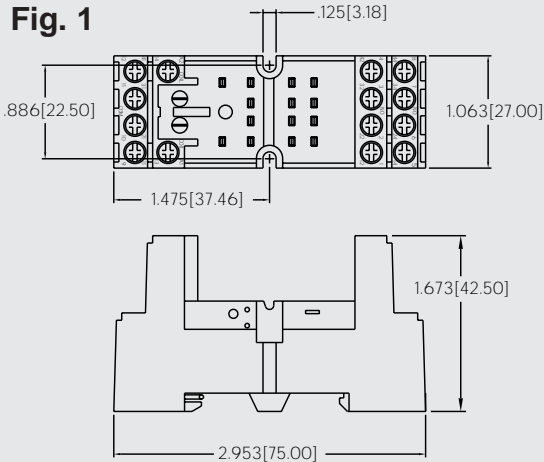
C-103-PM Prepunched Aluminum DIN Rail (1 Meter Lengths)
 C-104-PM Prepunched Steel DIN Rail (1 Meter Lengths)
 C-105-PM Prepunched Steel DIN Rail (1 Meter Lengths)
 C-106-2PM Prepunched Steel DIN Rail (2 Meter Lengths)
 MHO Hold Down Spring
 MS35 Hold Down Spring/Ejector

PLUG-IN INDICATOR AND PROTECTION MODULES

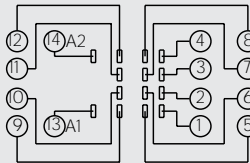
PART NO. DESCRIPTION

Type 22 Diode for 6-230V DC (+Terminal A1)
 Type 42V Green LED with Diode for 6-24V DC (+ Terminal A1)
 Type 42CV Green LED with Diode for 110-230V DC (+ Terminal A1)
 Type 52B RC Circuit for 6-24V AC
 Type 52C RC Circuit for 110-240V AC
 Type 62V Green LED for 6-24V AC/DC (For DC + Terminal A1)
 Type 92V Green LED for 110-240V AC/DC (For DC + Terminal A1)
 Type 62CV Varistor + Green LED for 6-24V AC/DC (For DC + Terminal A1)
 Type 92CV Varistor + Green LED for 110-240V AC/DC (For DC + Terminal A1)
 Type 102 Bypass Resistor 110-240V AC

Fig. 1



TERMINAL LOCATION

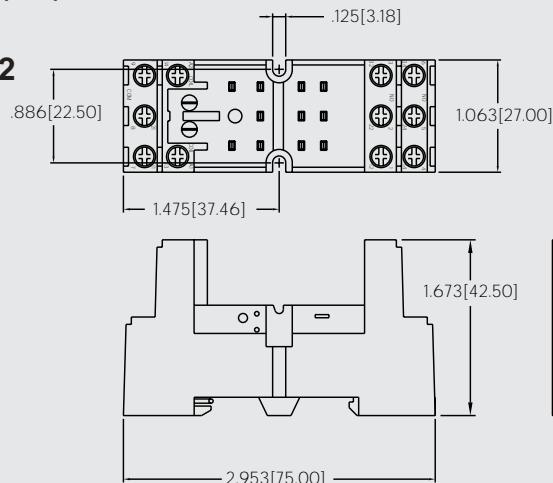


TOP VIEW

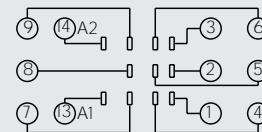
ES15/2N SERIES NOTE:

ES15/2N is the same as ES15/4N but with terminals 2, 3, 6, 7, 10 & 11 omitted

Fig. 2



TERMINAL LOCATION



TOP VIEW

ES

ES SERIES

RELAY SOCKETS

DESCRIPTION 8 and 14 Pin Miniature Sockets, DIN Rail Mountable, Finger Safe

ELECTRICAL RATING • 300 Volts, 7 Amps

CONSTRUCTION

- Contacts** • Brass, Nickel Plated
- Screws** • Pressure Clamp, M3 Steel, Nickel Plated
- Molding** • Break Resistant Thermoplastic

AGENCY APPROVALS • UL recognized, File No. E113714



• CSA certified, File No. LR26716

• CE

ORDERING CODE

PART NO.	DESCRIPTION	TERMINAL TYPE
ES15/4	4PDT, 14 Pin Miniature	Pressure Clamp Screws

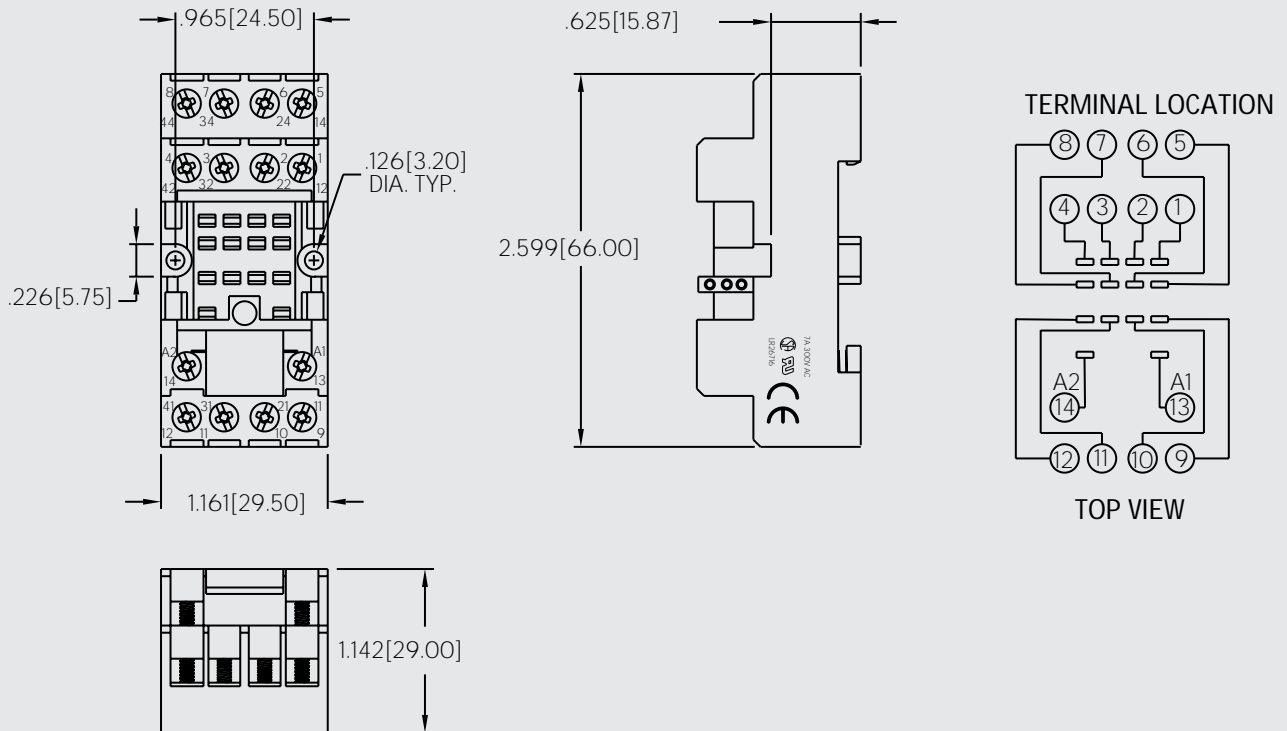
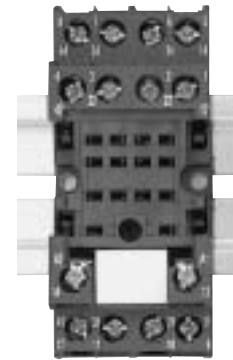
ACCESSORIES

PART NO. DESCRIPTION (Refer to the accessories pages 25-27)

C-103-PM	Prepunched Aluminum DIN Rail (1 Meter Lengths)
C-104-PM	Prepunched Steel DIN Rail (1 Meter Lengths)
C-105-PM	Prepunched Steel DIN Rail (1 Meter Lengths)
C-106-2PM	Prepunched Steel DIN Rail (2 Meter Lengths)
MHO	Hold Down Spring

PLUG-IN INDICATOR AND PROTECTION MODULES

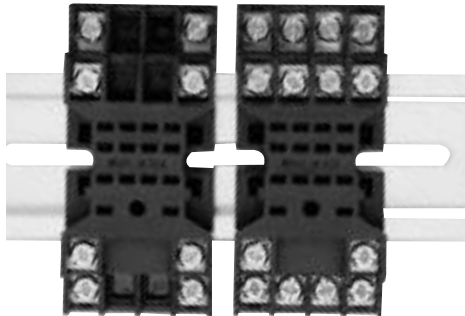
PART NO.	DESCRIPTION
Type 2	Diode for 6-230V DC (+Terminal A1)
Type 4V	Green LED with Diode for 6-24V DC (+ Terminal A1)
Type 4CV	Green LED with Diode for 110-230V DC (+ Terminal A1)
Type 5B	RC Circuit for 6-24V AC
Type 5C	RC Circuit for 110-240V AC
Type 6V	Green LED for 6-24V AC/DC (For DC + Terminal A1)
Type 9V	Green LED for 110-240V AC/DC (For DC + Terminal A1)
Type 6CV	Varistor + Green LED for 6-24V AC/DC (For DC + Terminal A1)
Type 9CV	Varistor + Green LED for 110-240V AC/DC (For DC + Terminal A1)
Type 10	Bypass Resistor 110-240V AC



ES

MT SERIES

RELAY SOCKETS



DESCRIPTION

8 and 14 Pin Miniature Sockets, DIN Rail Mountable

ELECTRICAL RATING

• 300 Volts, 7 Amps
RATINGS PENDING: MT08-PC - 300 Volts, 12 Amps;
 MT14-PC - 300 Volts, 10 AmpsConsult factory

CONSTRUCTION

- Contacts** • Brass, Nickel Plated
- Screws** • M3 x .5 x 6.5 mm Steel, Zinc Plated, Wire Range #14 - #22 Solid or Stranded
- Molding** • Break Resistant Thermoplastic Black Standard, Grey Available

AGENCY APPROVALS

- UL recognized, File No. E60008
- CSA certified, File No. LR29513
- CE

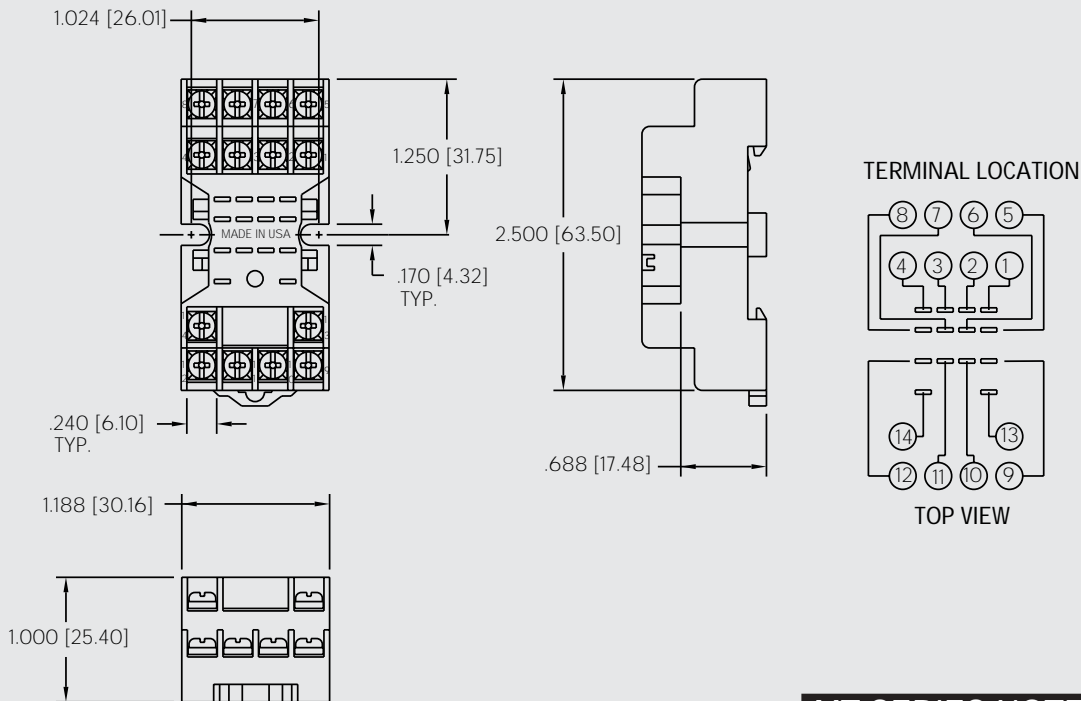


ORDERING CODE

PART NO.	DESCRIPTION	TERMINAL TYPE
MT08-PC	DPDT, 8 Pin Miniature	Pressure Clamp Screws
MT14-PC	4PDT, 14 Pin Miniature	Pressure Clamp Screws

ACCESSORIES

PART NO.	DESCRIPTION (Refer to the accessories pages 25-27)
C-103-PM	Prepunched Aluminum DIN Rail (1 Meter Lengths)
C-104-PM	Prepunched Steel DIN Rail (1 Meter Lengths)
C-105-PM	Prepunched Steel DIN Rail (1 Meter Lengths)
C-106-2PM	Prepunched Steel DIN Rail (2 Meter Lengths)
HDB-4	Hold Down Spring



MT SERIES NOTE:

MT08-PC is the same as MT14-PC but with terminals 2,3,6,7,10 and 11 omitted



MR SERIES

RELAY SOCKETS



DESCRIPTION

8 and 14 Miniature Sockets

ELECTRICAL RATING

- 300 Volts, 5 Amps
- RATINGS PENDING:**
- DPDT, 8 pin models - 300 Volts, 12 Amps;
- 4PDT, 14 pin models - 300 Volts, 10 Amps
- Consult Factory

CONSTRUCTION

- Contacts** • Brass, Bright Tin Plated
- Molding** • Break Resistant Thermoplastic

AGENCY APPROVALS

- UL recognized, File No. E60008
- CSA certified, File No. LR29513
- CE (*)



ORDERING CODE

PART NO.	DESCRIPTION	TERMINAL TYPE
MR08-PCB (*)	DPDT, 8 Pin Miniature (Fig. 1)	PC Board
MR08-PCB-1G (*)	DPDT, 8 Pin Miniature (Fig. 1)	PC Board, Ground Lug Omitted
MR08-PCB-2G	DPDT, 8 Pin Miniature (Fig. 2)	PC Board
MR14-PCB (*)	4PDT, 14 Pin Miniature (Fig. 1)	PC Board
MR14-PCB-1G(*)	4PDT, 14 Pin Miniature (Fig. 1)	PC Board, Ground Lug Omitted
MR14-PCB-2G	4PDT, 14 Pin Miniature (Fig. 2)	PC Board

ACCESSORIES

PART NO.	DESCRIPTION (Refer to the accessories pages 25-27)
HDB-4	Hold Down Spring
HDB-9	Hold Down Spring

Fig. 1

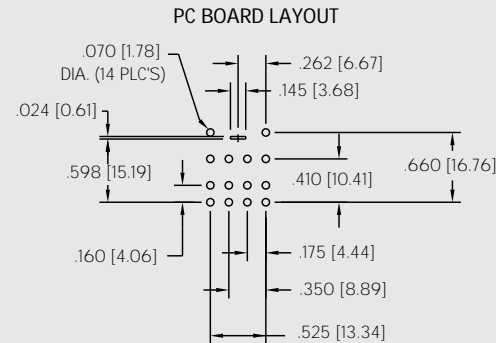
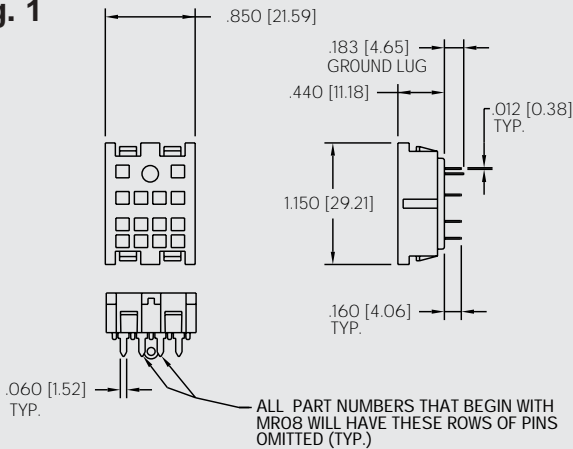
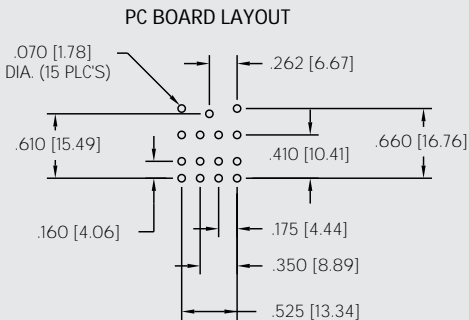
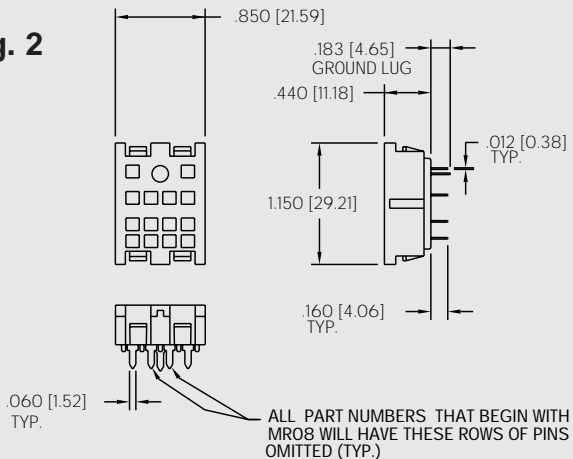


Fig. 2



MR SERIES

RELAY SOCKETS

DESCRIPTION

8 and 14 Pin Miniature Sockets

ELECTRICAL RATING

- 300 Volts, 5 Amps
- RATINGS PENDING:**
- DPDT, 8 pin models - 300 Volts, 12 Amps;
- 4PDT, 14 pin models - 300 Volts, 10 Amps
- Consult Factory

CONSTRUCTION

- Contacts** • Brass, Bright Tin Plated
- Molding** • Break Resistant Thermoplastic

AGENCY APPROVALS

- UL recognized, File No. E60008
- CSA certified, File No. LR29513
- CE (*)



ORDERING CODE

PART NO.	DESCRIPTION	TERMINAL TYPE
MR08-PCB-1G N	DPDT, 8 Pin Miniature (Fig. 1)	PC Board
MR08-SLD (*)	DPDT, 8 Pin Miniature (Fig. 2)	Solder
MR08-SLD-1G (*)	DPDT, 8 Pin Miniature (Fig. 2)	Solder, Ground Lug Omitted
MR14-PCB-1G N	4PDT, 14 Pin Miniature (Fig. 1)	PC Board
MR14-SLD (*)	4PDT, 14 Pin Miniature (Fig. 2)	Solder
MR14-SLD-1G (*)	4PDT, 14 Pin Miniature (Fig. 2)	Solder, Ground Lug Omitted

ACCESSORIES

PART NO.	DESCRIPTION (Refer to the accessories pages 25-27)
HDB-4	Hold Down Spring
HDB-9	Hold Down Spring



Fig. 1

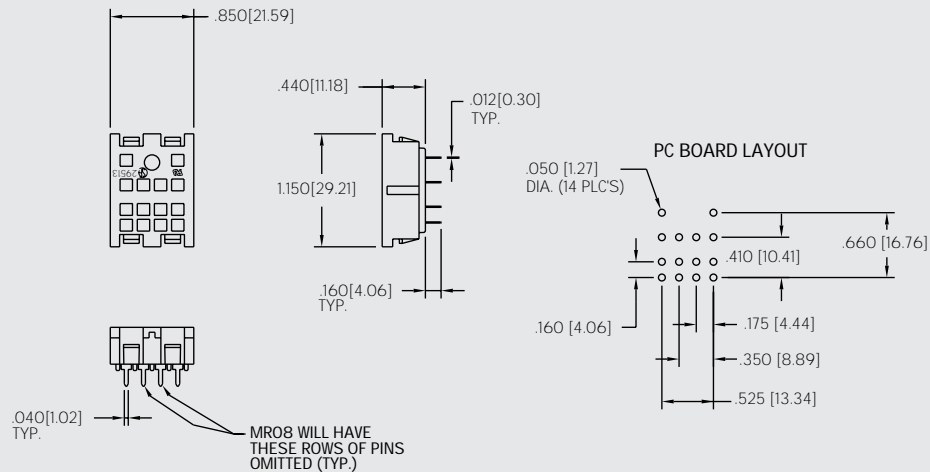
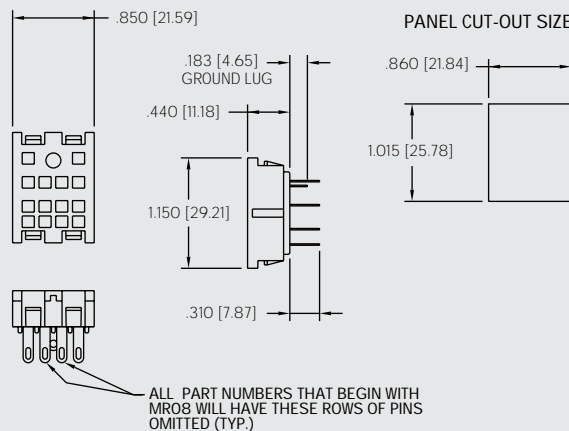


Fig. 2



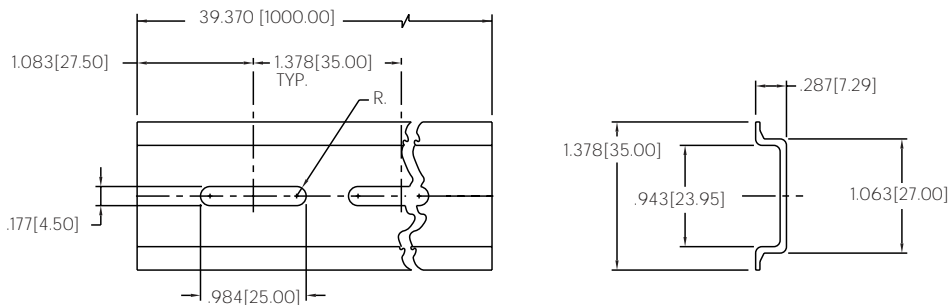
RELAY SOCKET ACCESSORIES

DIN RAIL

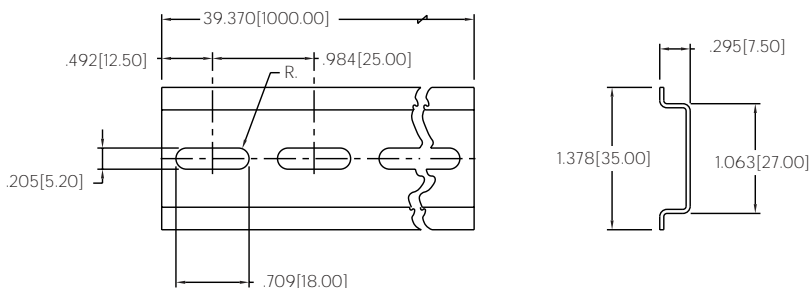
DRAWINGS & SPECIFICATIONS

PART NO.	DESCRIPTION	SERIES NO.
----------	-------------	------------

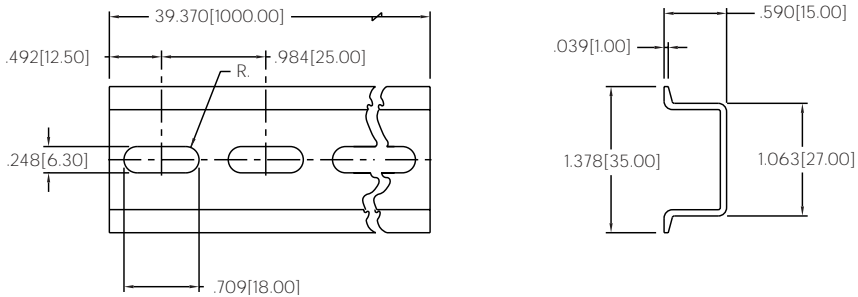
C-103-PM	Prepunched Aluminum DIN Rail (1 Meter Lengths) (note: Other lengths available, consult factory)	ES, GT, MT, OT, ST
-----------------	--	--------------------



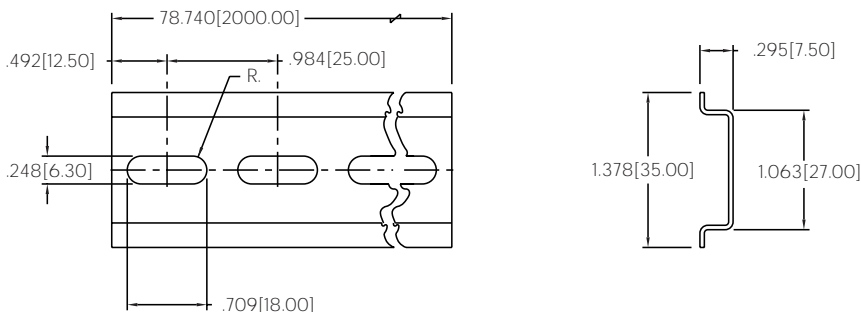
C-104-PM	Prepunched Steel DIN Rail (1 Meter Lengths) (note: Other lengths available, consult factory)	ES, GT, MT, OT, ST
-----------------	---	--------------------



C-105-PM	Prepunched Steel DIN Rail (1 Meter Lengths) (note: Other lengths available, consult factory)	ES, GT, MT, OT, ST
-----------------	---	--------------------



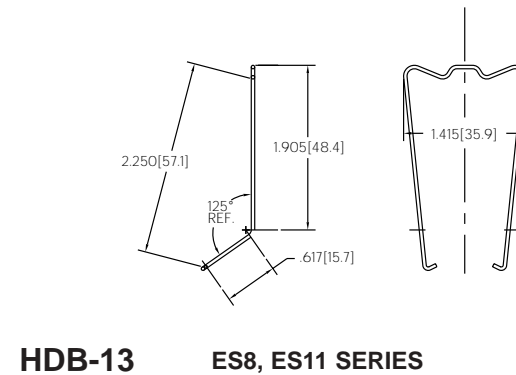
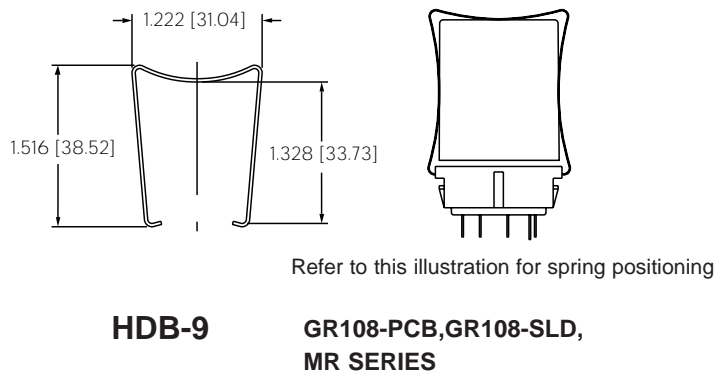
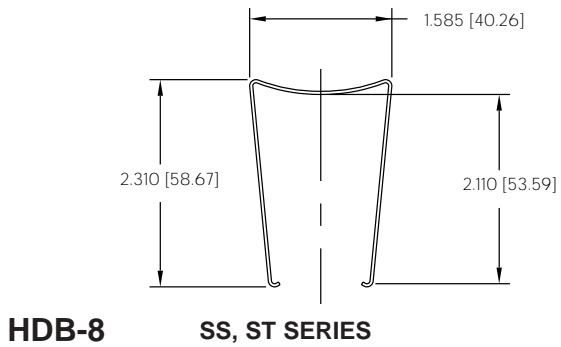
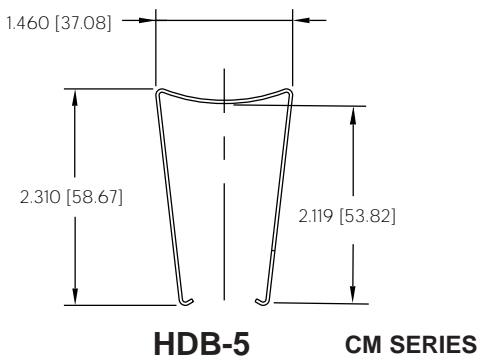
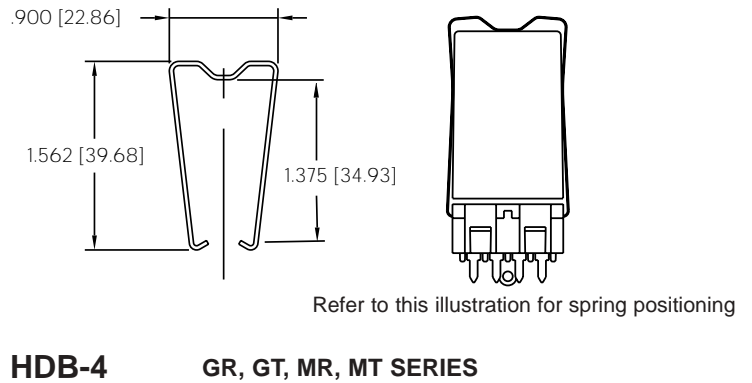
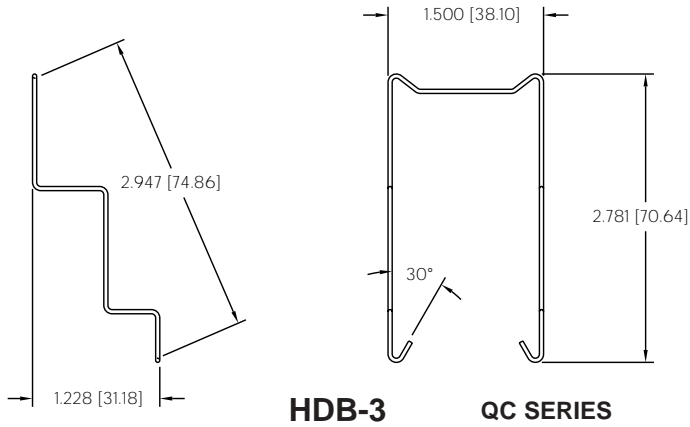
C-106-2PM	Prepunched Steel DIN Rail (2 Meter Lengths) (note: Other lengths available, consult factory)	ES, GT, MT, OT, ST
------------------	---	--------------------



OTHER STYLES AND HOLE PATTERNS AVAILABLE. CONSULT FACTORY

RELAY SOCKET ACCESSORIES

HOLD DOWN SPRINGS DRAWINGS & SPECIFICATIONS



ES15/4, ES15/2N, ES15/3N, ES15/4N

