

Greenwich Electronics, Inc.

RS9-1 Series

- SPDT switch
- General application
- Ruthenium contacts

CONTACT

| | |
|-------------------------|------------------------------|
| Configuration | C: 1 form C (SPDT) |
| Position | Off-Center |
| Material | Ruthenium Oxide over Rhodium |
| Rated Load | 3W |
| Max. Switching Voltage | 100VDC |
| Max. Switching Current | 0.25A |
| Max. Initial Resistance | 200m Ω |
| Max. Capacitance | 0.8pF |

CHARACTERISTICS

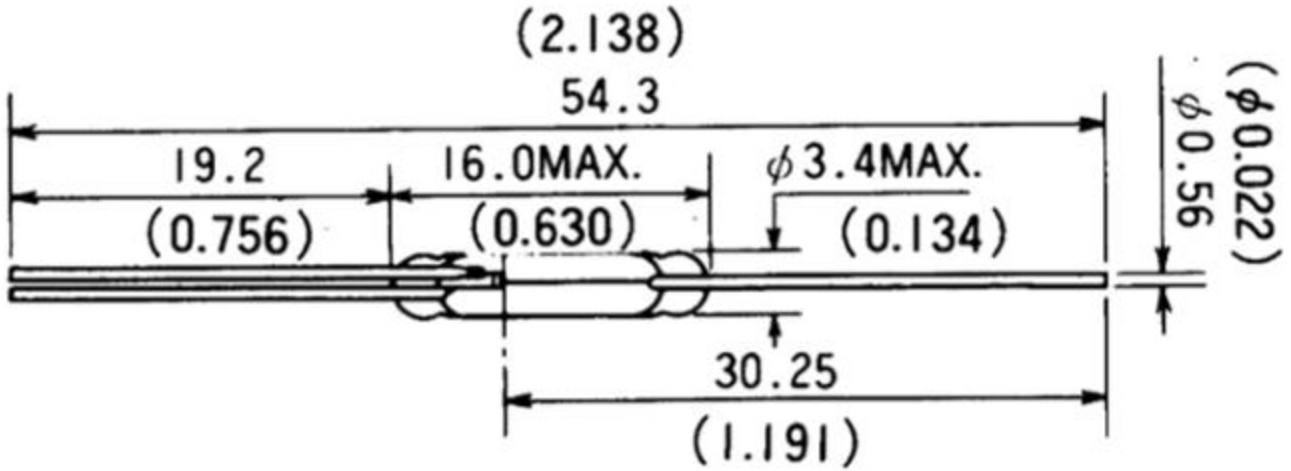
| | |
|-----------------------------|--|
| Pull-in Value | 10-50AT |
| Min. Drop-out Value | 8AT |
| Min. Dielectric Strength | 200VDC |
| Min. Insulation Resistance | 10 ⁹ Ω |
| Typ. Resonant Frequency | 2.4kHz |
| Electrical Life (Resistive) | 1 x 10 ⁸ (10mVDC, 10 μ A) 2 x 10 ⁶ (12VDC, 0.25A) |

ORDERING INFORMATION

| | | | | | |
|------|-----------------------|----------------------------|----------|---|-------------|
| | <u>RS9-1</u> | <u>C</u> | <u>D</u> | - | <u>3035</u> |
| | I | II | III | | IV |
| I. | Series | RS9-1 | | | |
| II. | Contact Configuration | C - 1 form C (SPDT) | | | |
| III. | Contact Type | D - Dry | | | |
| IV. | Ampere Turn Range | 10 to 50 | | | |

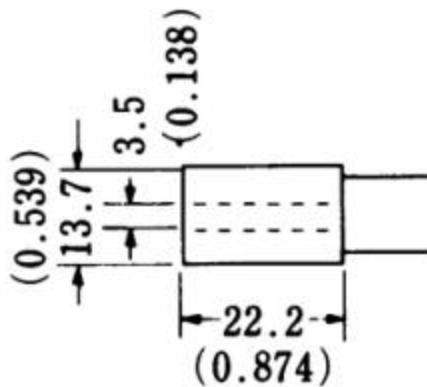
Greenwich Electronics, Inc.

RS9-1 Series Dimensions and Schematics (in inches and mm)




Test Coil 5002 Data

Number of Turns: 5000
 Wire Gauge: AWG#40
 Coil Resistance: 420 Ω



Greenwich Electronics, Inc.

RS9-2 Series

- SPDT configuration
- Ruthenium contacts
- Approvals:  (E197070)

CONTACT

| | |
|-------------------------|------------------------------|
| Configuration | C: 1 form C (SPDT) |
| Position | Off-center |
| Material | Ruthenium Oxide over Rhodium |
| Rated Load | 3W |
| Max. Switching Voltage | 100VDC |
| Max. Switching Current | 0.25A |
| Max. Initial Resistance | 200mΩ |
| Max. Capacitance | 0.8pF |

CHARACTERISTICS

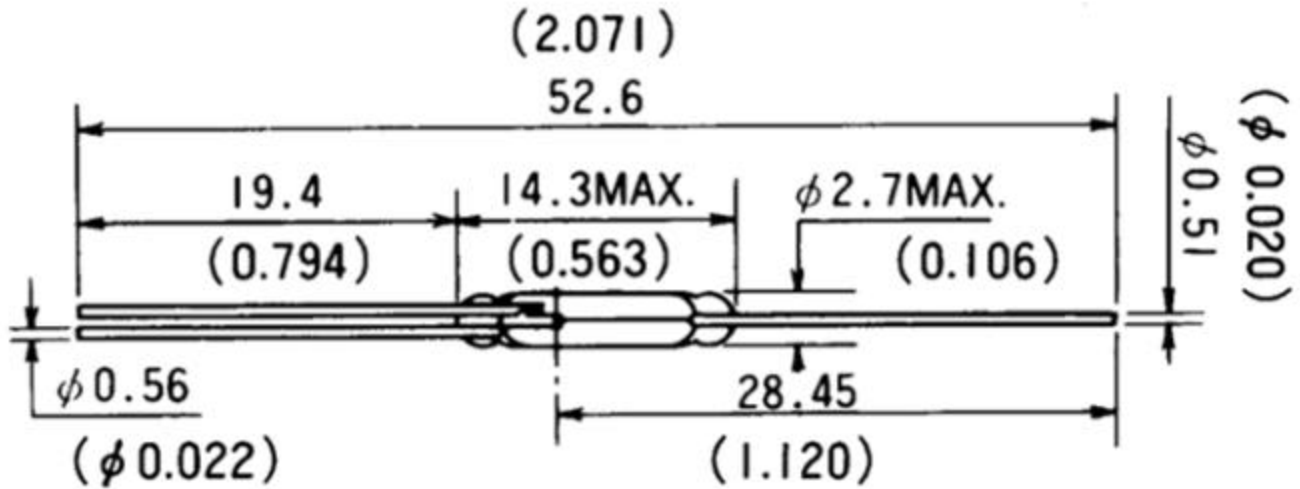
| | |
|-----------------------------|--|
| Pull-in Value | 10-50AT |
| Min. Drop-out Value | 7AT |
| Min. Dielectric Strength | 200VDC |
| Min. Insulation Resistance | $10^9\Omega$ |
| Typ. Resonant Frequency | 2.4kHz |
| Electrical Life (Resistive) | 1×10^8 (10mVDC, 10μA) 2×10^6 (12VDC, 250mA) |

ORDERING INFORMATION

| | | | | | |
|------|-----------------------|----------------------------|----------|---|-------------|
| | <u>RS9-2</u> | <u>C</u> | <u>D</u> | - | <u>3035</u> |
| | I | II | III | | IV |
| I. | Series | RS9-2 | | | |
| II. | Contact Configuration | C - 1 form C (SPDT) | | | |
| III. | Contact Type | D - Dry | | | |
| IV. | Ampere Turn Range | 10 to 50 | | | |

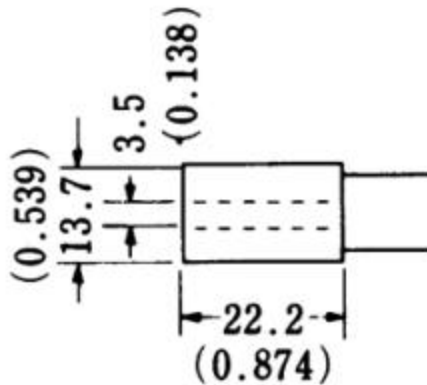
Greenwich Electronics, Inc.

RS9-2 Series Dimensions and Schematics (in inches and mm)



Test Coil 5002 Data

Number of Turns: 5000
 Wire Gauge: AWG#40
 Coil Resistance: 420 Ω



Greenwich Electronics, Inc.

RS9-3 Series

- SPDT switch
- Rhodium contacts

CONTACT

| | |
|-------------------------|---------------------------|
| Configuration | C: 1 form C (SPDT) |
| Position | Off-Center |
| Material | Rhodium |
| Rated Load | 10W |
| Max. Switching Voltage | 250VDC |
| Max. Switching Current | 0.5A |
| Max. Initial Resistance | 75mΩ |
| Max. Capacitance | 3.0pF |

CHARACTERISTICS

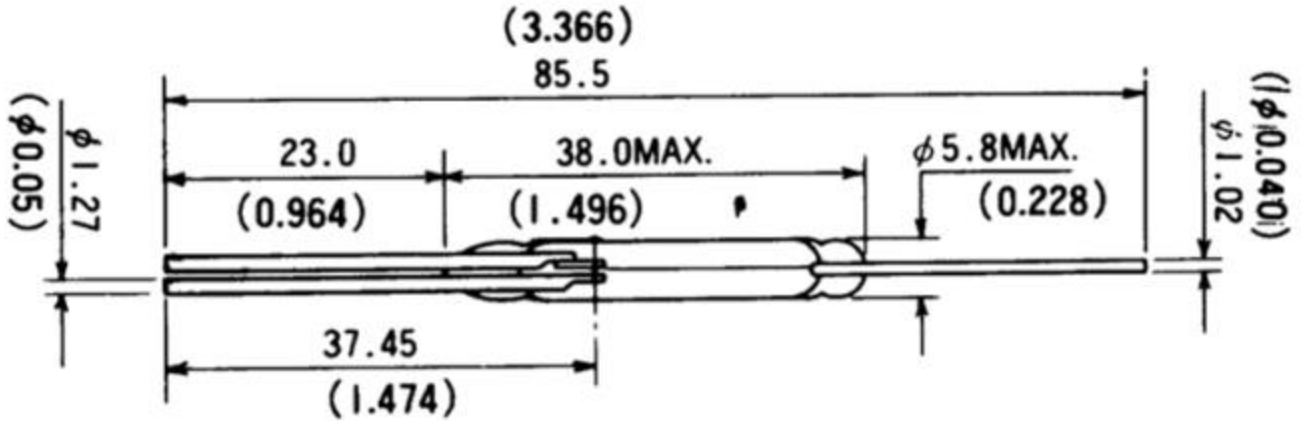
| | |
|-----------------------------|-----------------------------------|
| Pull-in Value | 30-80AT |
| Min. Drop-out Value | 15AT |
| Min. Dielectric Strength | 500VDC |
| Min. Insulation Resistance | 10 ⁸ Ω |
| Typ. Resonant Frequency | 1.1kHz |
| Electrical Life (Resistive) | 1 x 10 ⁶ (24VDC, 0.1A) |

ORDERING INFORMATION

| | | | | | |
|------|-----------------------|----------|----------|---|----------------------------|
| | <u>RS9-3</u> | <u>C</u> | <u>D</u> | - | <u>6570</u> |
| | I | II | III | | IV |
| I. | Series | | | | RS9-3 |
| II. | Contact Configuration | | | | C - 1 form C (SPDT) |
| III. | Contact Type | | | | D - Dry |
| IV. | Ampere Turn Range | | | | 30 to 80 |

Greenwich Electronics, Inc.

RS9-3 Series Dimensions and Schematics (in inches and mm)



Test Coil 10002 Data

Number of Turns: 10000
 Wire Gauge: AWG#38
 Coil Resistance: 670 Ω

