

Greenwich Electronics, Inc.

RS8-1 Series

- Close-differential switch
- Ruthenium contacts

CONTACT

Configuration	A: 1 form A (SPST-NO)
Position	Centered
Material	Ruthenium Oxide over Palladium
Rated Load	3W
Max. Switching Voltage	100VDC
Max. Switching Current	0.11A
Max. Initial Resistance	200m Ω
Max. Capacitance	0.6pF

CHARACTERISTICS

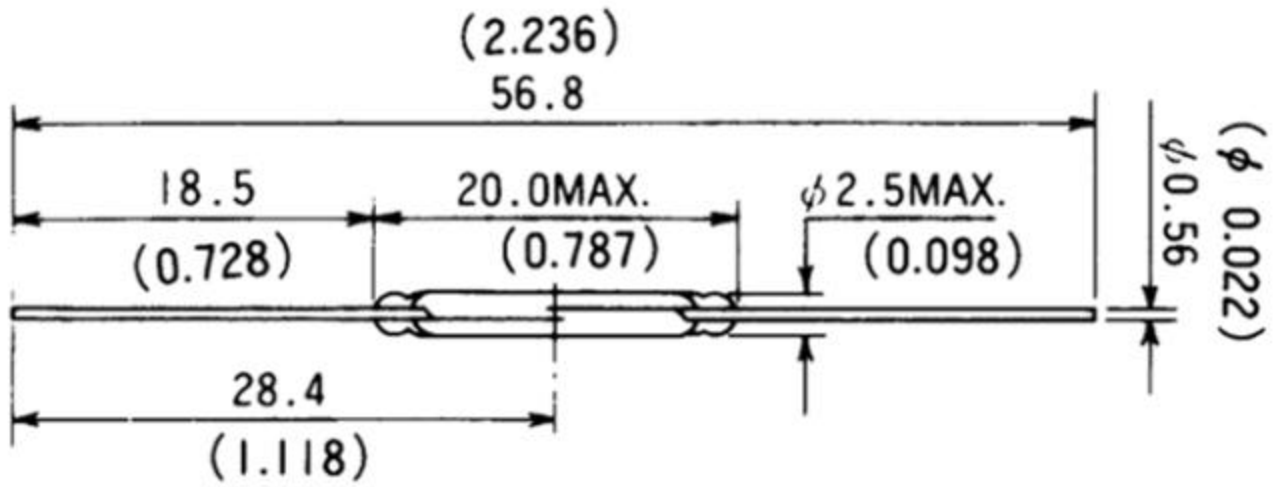
Pull-in Value	15-50AT
Min. Drop-out Value	75% ratio min.
Min. Dielectric Strength	200VDC
Min. Insulation Resistance	10 ¹⁰ Ω
Typ. Resonant Frequency	3.0kHz
Electrical Life (Resistive)	1 x 10 ⁷ (5VDC, 10mA) 5 x 10 ⁵ (100VDC, 0.1A)

ORDERING INFORMATION

	<u>RS8-1</u>	<u>A</u>	<u>D</u>	-	<u>2025</u>
	I	II	III		IV
I.	Series	RS8-1			
II.	Contact Configuration	A - 1 form A (SPST-NO)			
III.	Contact Type	D - Dry			
IV.	Ampere Turn Range	15 to 50			

Greenwich Electronics, Inc.

RS8-1 Series Dimensions and Schematics (in inches and mm)



Test Coil 5002 Data

Number of Turns: 5000
 Wire Gauge: AWG#40
 Coil Resistance: 420 Ω

