

Greenwich Electronics, Inc.

RS5-1 Series

- High insulation resistance
- Rhodium contacts

CONTACT

Configuration	A: 1 form A (SPST-NO)
Position	Centered
Material	Rhodium
Rated Load	10W
Max. Switching Voltage	200VDC
Max. Switching Current	0.5A
Max. Initial Resistance	100m Ω
Max. Capacitance	0.4pF

CHARACTERISTICS

Pull-in Value	20-50AT
Min. Drop-out Value	8AT
Min. Dielectric Strength	300VDC
Min. Insulation Resistance	10 ¹³ Ω
Typ. Resonant Frequency	
Electrical Life (Resistive)	1 x 10 ⁷ (5VDC, 10mA) 1 x 10 ⁶ (100VDC, 0.1A)

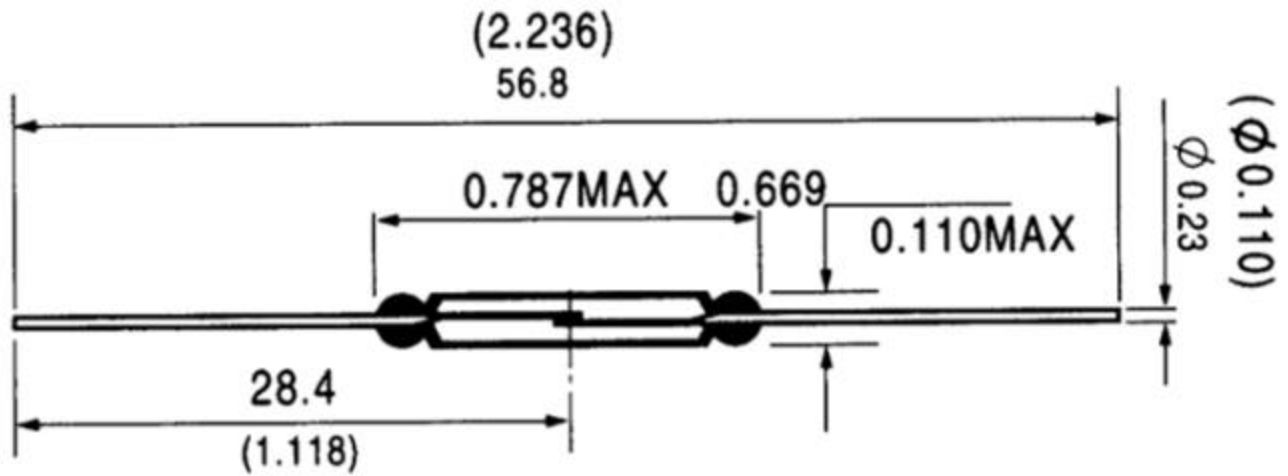
ORDERING INFORMATION

RS5-1 A D - 2530
I II III IV

I.	Series	RS5-1
II.	Contact Configuration	A - 1 form A (SPST-NO)
III.	Contact Type	D - Mercury wetted
IV.	Ampere Turn Range	20 to 50

Greenwich Electronics, Inc.

RS5-1 Series Dimensions and Schematics (in inches and mm)



Test Coil 5002 Data

Number of Turns: 5000
 Wire Gauge: AWG#40
 Coil Resistance: 420 Ω

