

# Greenwich Electronics, Inc.

## RS4-1 Series

- High Dielectric
- Ruthenium contacts

### CONTACT

Configuration	<b>A:</b> 1 form A (SPST-NO)
Position	Centered
Material	Ruthenium Oxide over Rhodium
Rated Load	10W
Max. Switching Voltage	500VDC
Max. Switching Current	0.5A
Max. Initial Resistance	200m $\Omega$
Max. Capacitance	0.4pF

### CHARACTERISTICS

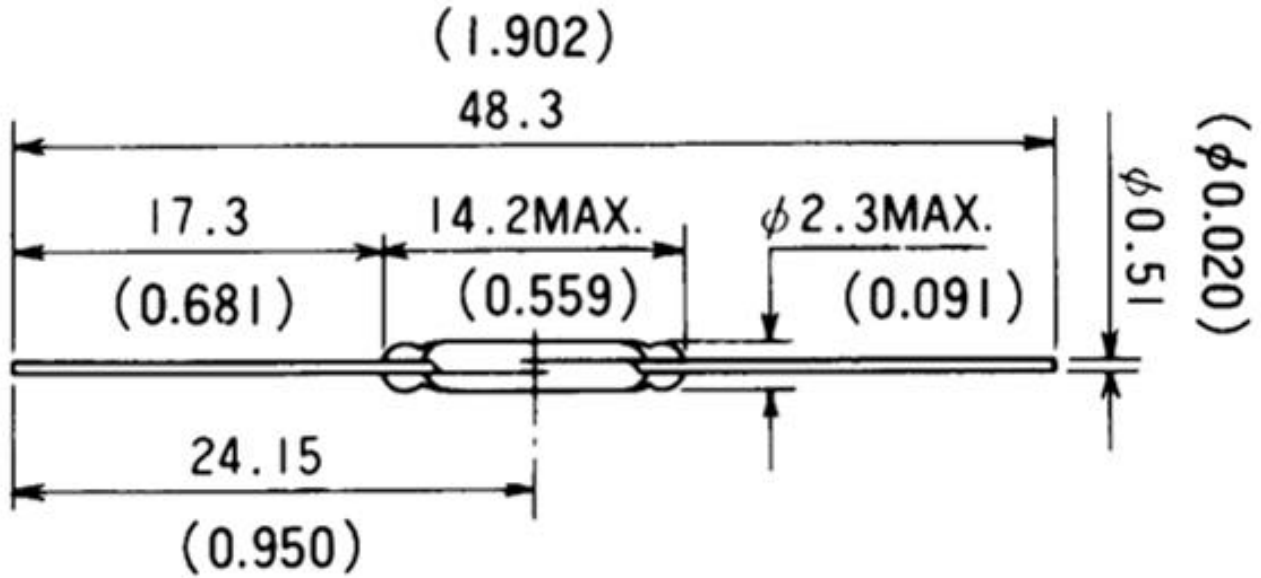
Pull-in Value	15-50AT
Min. Drop-out Value	5AT
Min. Dielectric Strength	1500VDC
Min. Insulation Resistance	10 <sup>10</sup> $\Omega$
Typ. Resonant Frequency	4.8kHz
Electrical Life (Resistive)	1 x 10 <sup>8</sup> (10mVDC, 10 $\mu$ A) 5 x 10 <sup>6</sup> (250VDC, 10mA)

### ORDERING INFORMATION

	<u>RS4-1</u>	<u>A</u>	<u>D</u>	-	<u>4045</u>
	I	II	III		IV
I.	Series	<b>RS4-1</b>			
II.	Contact Configuration	<b>A</b> - 1 form A (SPST-NO)			
III.	Contact Type	<b>D</b> - Dry			
IV.	Ampere Turn Range	<b>15 to 50</b>			

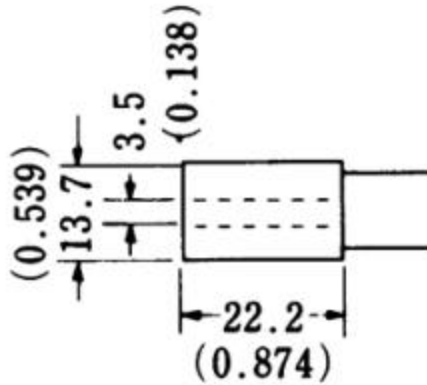
# Greenwich Electronics, Inc.

## RS4-1 Series Dimensions and Schematics (in inches and mm)



### Test Coil 5002 Data

Number of Turns: 5000  
 Wire Gauge: AWG#40  
 Coil Resistance: 420 $\Omega$



# Greenwich Electronics, Inc.

## RS4-2 Series

- High dielectric (5kV)
- High switching voltage (2kV)
- Rhodium contacts

### CONTACT

Configuration	<b>A:</b> 1 form A (SPST-NO)
Position	Centered
Material	Rhodium
Rated Load	25W
Max. Switching Voltage	2000VDC
Max. Switching Current	0.5A
Max. Initial Resistance	60m $\Omega$
Max. Capacitance	0.8pF

### CHARACTERISTICS

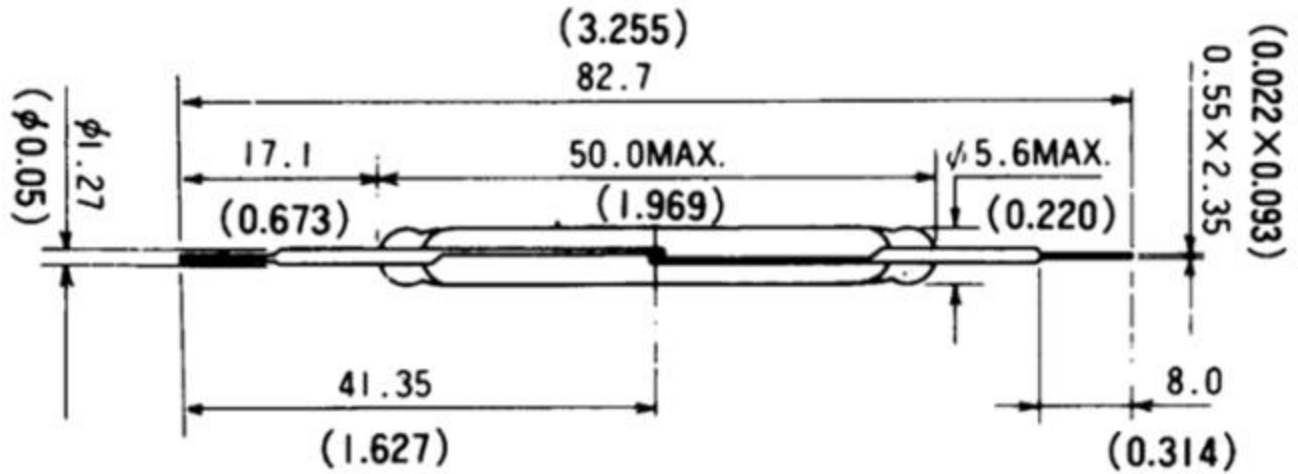
Pull-in Value	50-150AT
Min. Drop-out Value	13AT
Min. Dielectric Strength	5000VDC
Min. Insulation Resistance	10 <sup>10</sup> $\Omega$
Typ. Resonant Frequency	0.8kHz
Electrical Life (Resistive)	1 x 10 <sup>7</sup> (50mVDC, 10mA) 5 x 10 <sup>5</sup> (2000VDC, 10mA)

### ORDERING INFORMATION

	<u>RS4-2</u>	<u>A</u>	<u>D</u>	-	<u>7075</u>
	I	II	III		IV
I.	Series	<b>RS4-2</b>			
II.	Contact Configuration	<b>A</b> - 1 form A (SPST-NO)			
III.	Contact Type	<b>D</b> - Dry			
IV.	Ampere Turn Range	<b>50 to 150</b>			

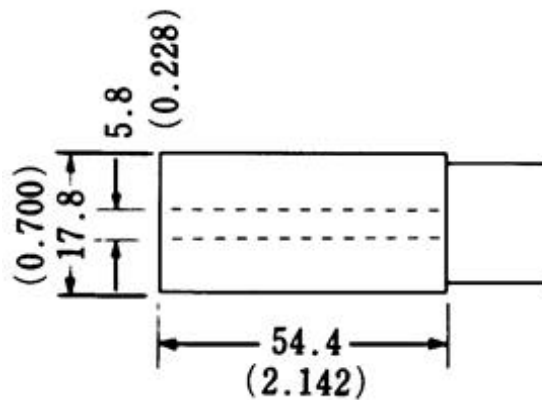
# Greenwich Electronics, Inc.

## RS4-2 Series Dimensions and Schematics (in inches and mm)



### Test Coil 10002 Data

Number of Turns: 10000  
 Wire Gauge: AWG#38  
 Coil Resistance: 670 $\Omega$



# Greenwich Electronics, Inc.

## RS4-3 Series

- High Dielectric (10kV)
- High switching voltage (3.5kV)
- Rhodium contacts

### CONTACT

Configuration	<b>A:</b> 1 form A (SPST-NO)
Position	Centered
Material	Rhodium
Rated Load	25W
Max. Switching Voltage	3500VDC
Max. Switching Current	0.5A
Max. Initial Resistance	60m $\Omega$
Max. Capacitance	0.8pF

### CHARACTERISTICS

Pull-in Value	120-200AT
Min. Drop-out Value	20AT
Min. Dielectric Strength	10,000VDC
Min. Insulation Resistance	10 <sup>10</sup> $\Omega$
Typ. Resonant Frequency	0.8kHz
Electrical Life (Resistive)	1 x 10 <sup>7</sup> (50mVDC, 10mA) 5 x 10 <sup>5</sup> (2000VDC, 10mA)

### TEST COIL

Number of Turns	10,000
Wire Gauge	AWG#38
Coil Resistance	670 $\Omega$

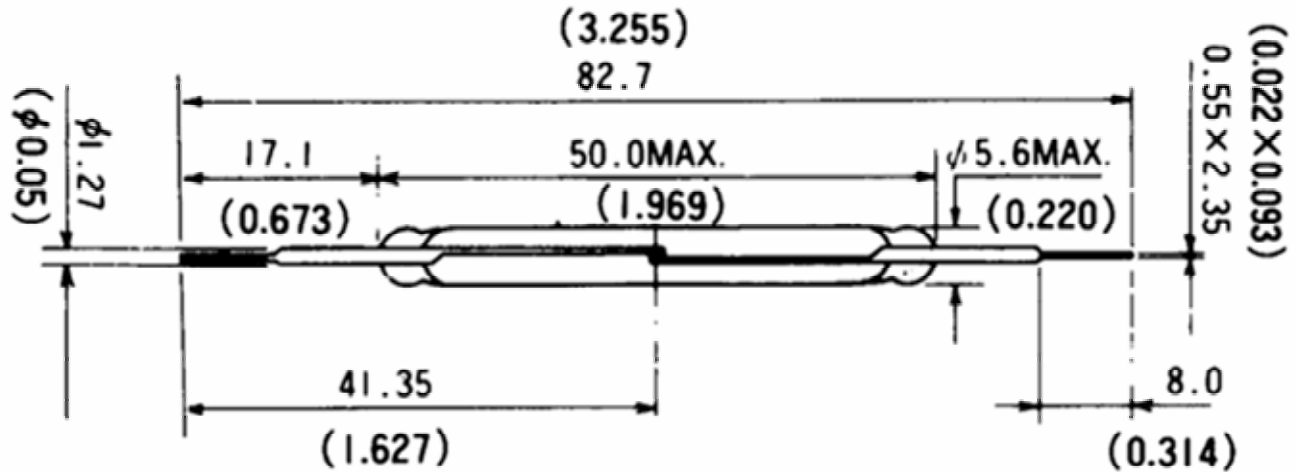
### ORDERING INFORMATION

RS4-3      A      D      -      150180  
I              II              III                              IV

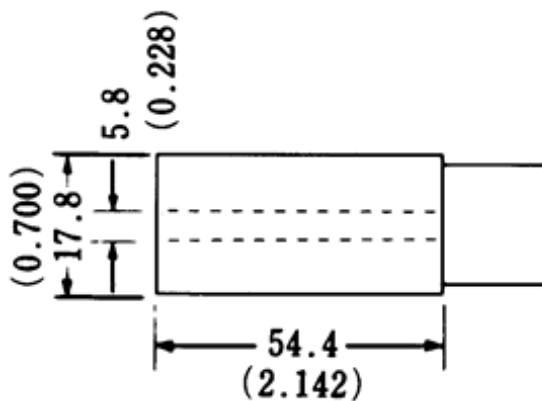
I.	Series	<b>RS4-3</b>
II.	Contact Configuration	<b>A</b> - 1 form A (SPST-NO)
III.	Contact Type	<b>D</b> - Dry
IV.	Ampere Turn Range	<b>120 to 200</b>

# Greenwich Electronics, Inc.

## RS4-3 Series Dimensions and Schematics (in inches and mm)



## Test Coil Dimensions



# Greenwich Electronics, Inc.

## RS4-4 Series

- High Dielectric (15kV)
- High switching voltage (3.5kV)
- Rhodium contacts

### CONTACT

Configuration	A: 1 form A (SPST-NO)
Position	Centered
Material	Rhodium
Rated Load	25W
Max. Switching Voltage	3500VDC
Max. Switching Current	0.5A
Max. Initial Resistance	60m $\Omega$
Max. Capacitance	0.8pF

### CHARACTERISTICS

Pull-in Value	200-250AT
Min. Drop-out Value	50AT
Min. Dielectric Strength	15,000VDC
Min. Insulation Resistance	10 <sup>10</sup> $\Omega$
Typ. Resonant Frequency	0.8kHz
Electrical Life (Resistive)	1 x 10 <sup>7</sup> (50mVDC, 10mA) 5 x 10 <sup>5</sup> (2000VDC, 10mA)

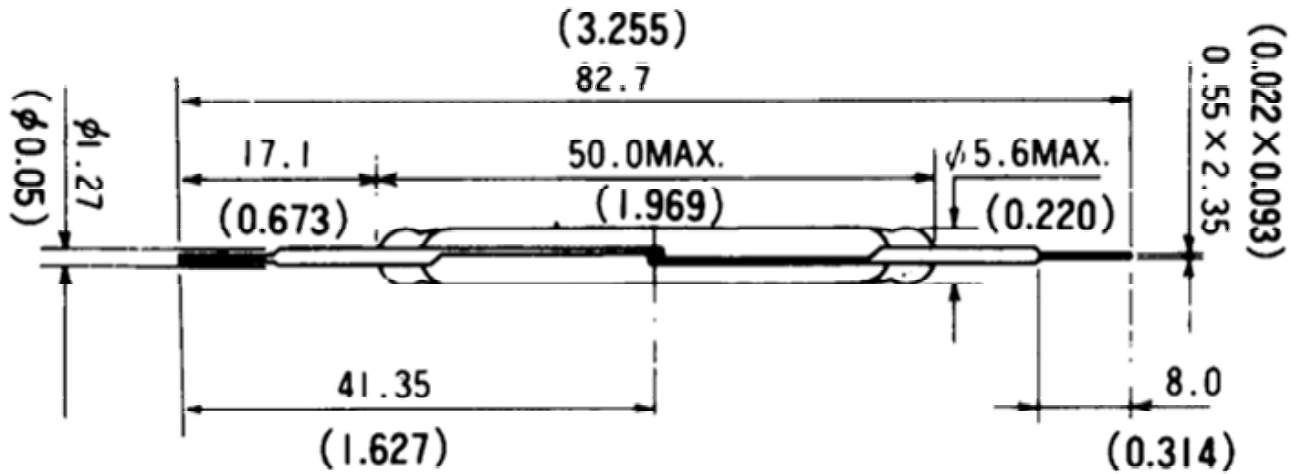
### ORDERING INFORMATION

RS4-4      A      D      -      200220  
I              II              III                              IV

I.	Series	<b>RS4-4</b>
II.	Contact Configuration	<b>A</b> - 1 form A (SPST-NO)
III.	Contact Type	<b>D</b> - Dry
IV.	Ampere Turn Range	<b>200 to 250</b>

# Greenwich Electronics, Inc.

RS4-4 Series Dimensions and Schematics (in inches and mm)



## Test Coil 10002 Data

Number of Turns: 10000  
 Wire Gauge: AWG#38  
 Coil Resistance: 670 $\Omega$

