

Greenwich Electronics, Inc.

RS3-1 Series

- High Power
- Ruthenium contacts

CONTACT

Configuration	A: 1 form A (SPST-NO)
Position	Off-Center
Material	Ruthenium Oxide over Palladium
Rated Load	20W
Max. Switching Voltage	200VDC
Max. Switching Current	0.5A
Max. Initial Resistance	150m Ω
Max. Capacitance	0.4pF

CHARACTERISTICS

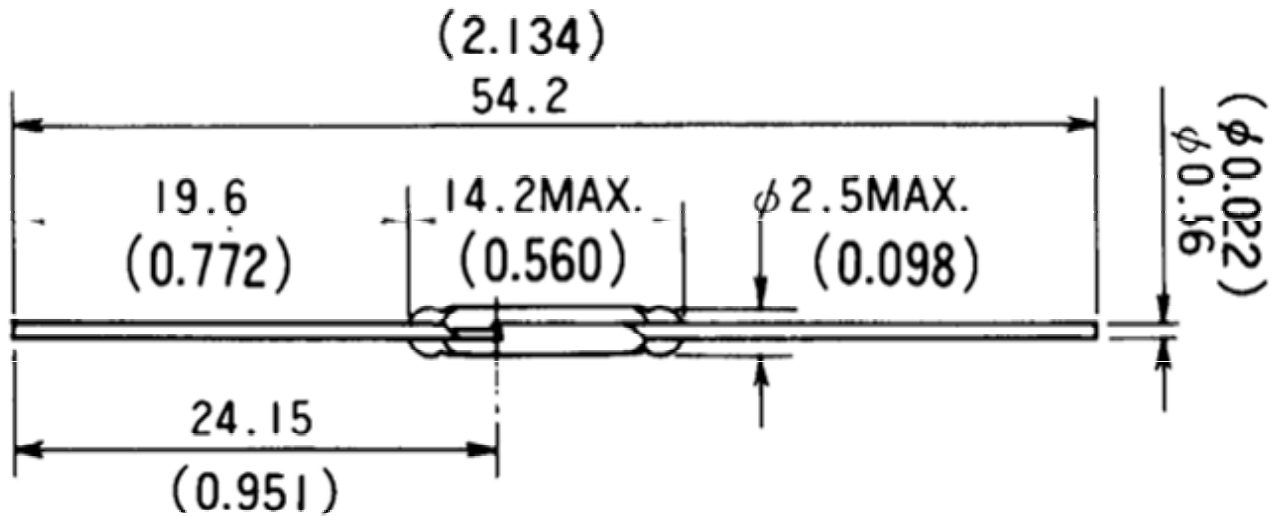
Pull-in Value	15-50AT
Min. Drop-out Value	7AT
Min. Dielectric Strength	250VDC
Min. Insulation Resistance	10 ⁹ Ω
Typ. Resonant Frequency	2.8kHz
Electrical Life (Resistive)	1 x 10 ⁸ (10mVDC, 10 μ A) 1 x 10 ⁵ (100VDC, 0.1A)

ORDERING INFORMATION

	<u>RS3-1</u>	<u>A</u>	<u>D</u>	-	<u>3035</u>
	I	II	III		IV
I.	Series				RS3-1
II.	Contact Configuration				A - 1 form A (SPST-NO)
III.	Contact Type				D - Dry
IV.	Ampere Turn Range				15 to 50

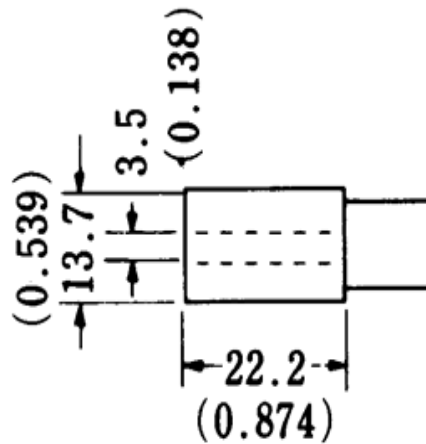
Greenwich Electronics, Inc.

RS3-1 Series Dimensions and Schematics (in inches and mm)



Test Coil 5002 Data

Number of Turns: 5000
Wire Gauge: AWG#40
Coil Resistance: 420 Ω



Greenwich Electronics, Inc.

RS3-2 Series

- High Power
- Rhodium contacts

CONTACT

Configuration	A: 1 form A (SPST-NO)
Position	Centered
Material	Rhodium
Rated Load	70W
Max. Switching Voltage	220VDC
Max. Switching Current	0.7A
Max. Initial Resistance	100m Ω
Max. Capacitance	0.4pF

CHARACTERISTICS

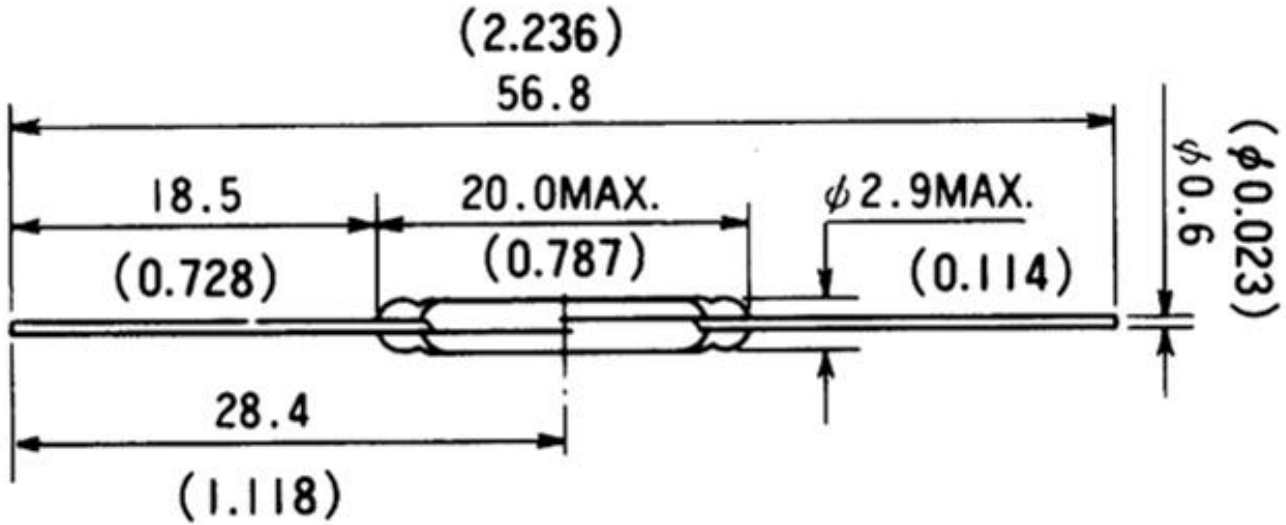
Pull-in Value	20-60AT
Min. Drop-out Value	8AT
Min. Dielectric Strength	300VDC
Min. Insulation Resistance	10 ⁹ Ω
Typ. Resonant Frequency	2.5kHz
Electrical Life (Resistive)	1 x 10 ⁷ (24VDC, 0.1A) 1 x 10 ⁶ (200VDC, 0.25A)

ORDERING INFORMATION

	<u>RS3-2</u>	<u>A</u>	<u>D</u>	-	<u>5055</u>
	I	II	III		IV
I.	Series	RS3-2			
II.	Contact Configuration	A - 1 form A (SPST-NO)			
III.	Contact Type	D - Dry			
IV.	Ampere Turn Range	20 to 60			

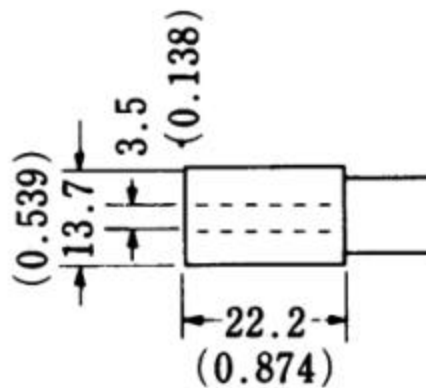
Greenwich Electronics, Inc.

RS3-2 Series Dimensions and Schematics (in inches and mm)



Test Coil 5002 Data

Number of Turns: 5000
Wire Gauge: AWG#40
Coil Resistance: 420 Ω



Greenwich Electronics, Inc.

RS3-3 Series

- High Power
- Rhodium contacts

CONTACT

Configuration	A: 1 form A (SPST-NO)
Position	Centered
Material	Rhodium
Rated Load	50W
Max. Switching Voltage	200VDC
Max. Switching Current	1.0A
Max. Initial Resistance	100m Ω
Max. Capacitance	0.4pF

CHARACTERISTICS

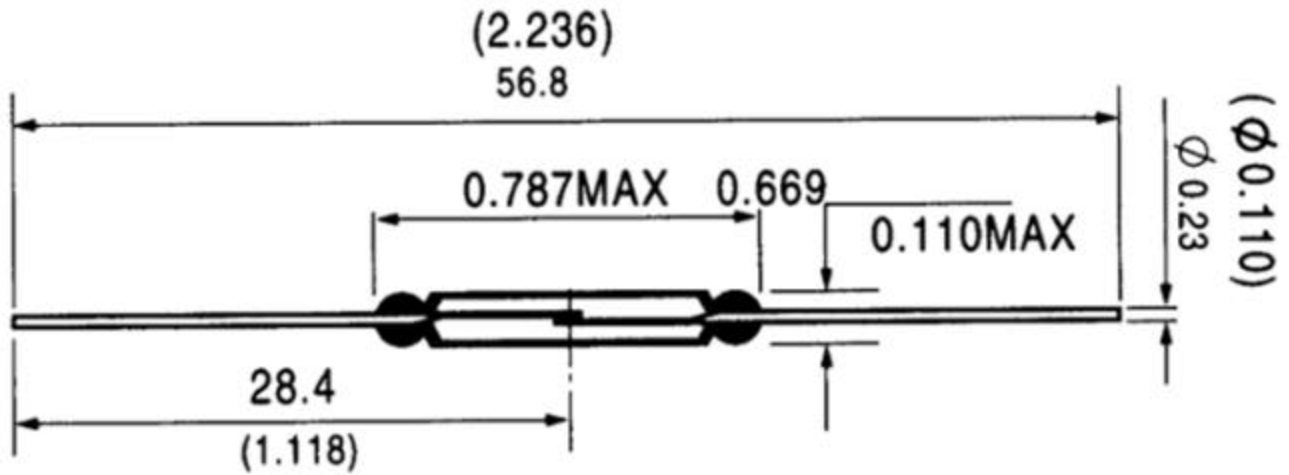
Pull-in Value	20-60AT
Min. Drop-out Value	6AT
Min. Dielectric Strength	300VDC
Min. Insulation Resistance	10 ⁹ Ω
Typ. Resonant Frequency	2.5kHz
Electrical Life (Resistive)	1 x 10 ⁷ (24VDC, 0.1A) 1 x 10 ⁶ (200VDC, 0.25A)

ORDERING INFORMATION

	<u>RS3-3</u>	<u>A</u>	<u>D</u>	-	<u>4045</u>
	I	II	III		IV
I.	Series	RS3-3			
II.	Contact Configuration	A - 1 form A (SPST-NO)			
III.	Contact Type	D - Dry			
IV.	Ampere Turn Range	20 to 60			

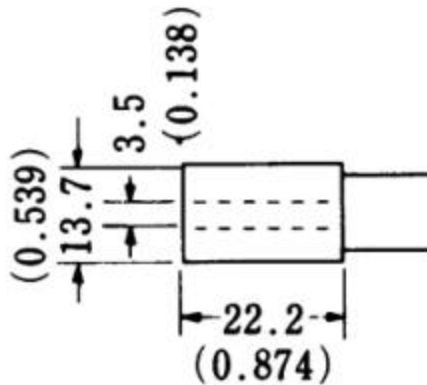
Greenwich Electronics, Inc.

RS3-3 Series Dimensions and Schematics (in inches and mm)




Test Coil 5002 Data

Number of Turns: 5000
 Wire Gauge: AWG#40
 Coil Resistance: 420 Ω



Greenwich Electronics, Inc.

RS3-4 Series

- High power and dielectric
- Vacuum switch
- Rhodium contacts
- Approvals:  (E197070)

CONTACT

Configuration	A: 1 form A (SPST-NO)
Position	Centered
Material	Rhodium
Rated Load	25W
Max. Switching Voltage	1000VDC
Max. Switching Current	1A
Max. Initial Resistance	100m Ω
Max. Capacitance	0.4pF

CHARACTERISTICS

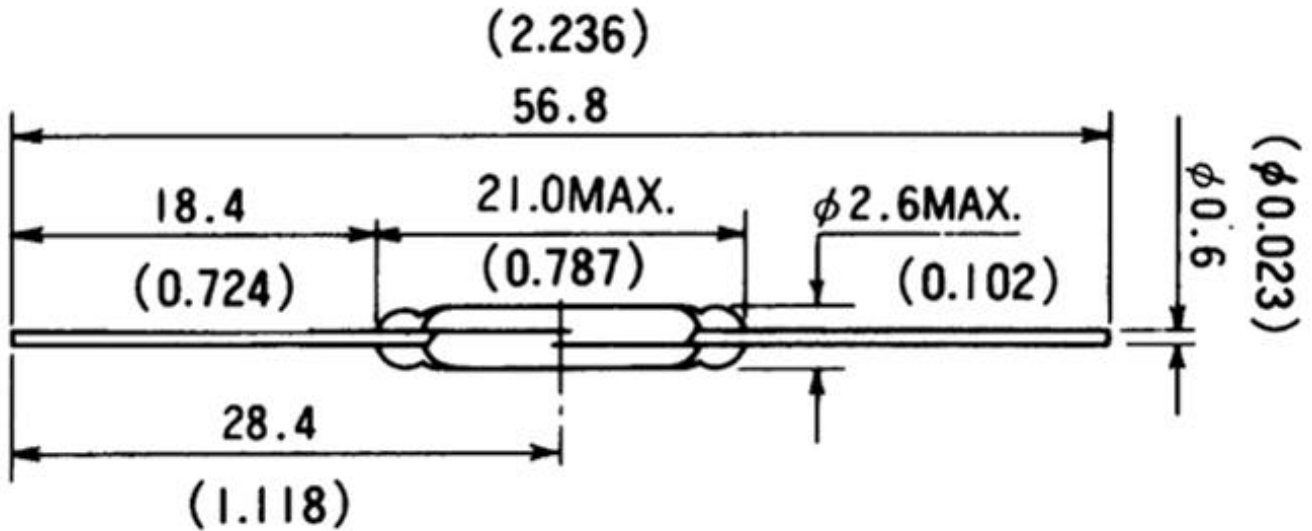
Pull-in Value	15-70AT
Min. Drop-out Value	6AT
Min. Dielectric Strength	2500VDC
Min. Insulation Resistance	10 ¹¹ Ω
Typ. Resonant Frequency	2.2kHz
Electrical Life (Resistive)	2 x 10 ⁶ (1000VDC, 10mA)

ORDERING INFORMATION

	<u>RS3-4</u>	<u>A</u>	<u>D</u>	-	<u>2025</u>
	I	II	III		IV
I.	Series	RS3-4			
II.	Contact Configuration	A - 1 form A (SPST-NO)			
III.	Contact Type	D - Dry			
IV.	Ampere Turn Range	15 to 70			

Greenwich Electronics, Inc.

RS3-4 Series Dimensions and Schematics (in inches and mm)



Test Coil 5002 Data

Number of Turns: 5000
 Wire Gauge: AWG#40
 Coil Resistance: 420 Ω

