


Greenwich Electronics, Inc.

RS1-1 Series

- General purpose reed switch
- Ruthenium contacts
- Approvals:  (E197070)

CONTACT

| | |
|-------------------------|--------------------------------|
| Configuration | A: 1 form A (SPST-NO) |
| Position | Centered |
| Material | Ruthenium Oxide over Palladium |
| Rated Load | 10W |
| Max. Switching Voltage | 200VDC |
| Max. Switching Current | 0.5A |
| Max. Initial Resistance | 150m Ω |
| Max. Capacitance | 0.4pF |

CHARACTERISTICS

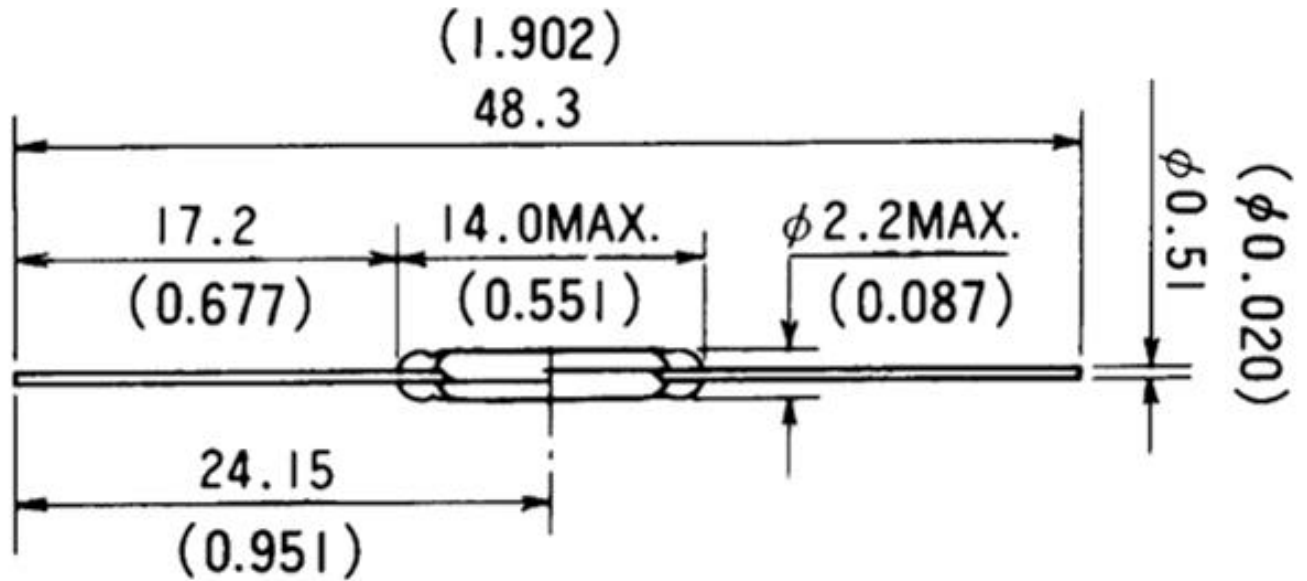
| | |
|-----------------------------|--|
| Pull-in Value | 15-50AT |
| Min. Drop-out Value | 5AT |
| Min. Dielectric Strength | 250VDC |
| Min. Insulation Resistance | 10 ¹⁰ Ω |
| Typ. Resonant Frequency | 4.8kHz |
| Electrical Life (Resistive) | 1 x 10 ⁸ (10mVDC, 10 μ A) 1 x 10 ⁵ (100VDC, 0.1A) |

ORDERING INFORMATION

| | | | | |
|--------------|-----------------------|-------------------------------|---|-------------|
| <u>RS1-1</u> | <u>A</u> | <u>D</u> | - | <u>2025</u> |
| I | II | III | | IV |
| I. | Series | RS1-1 | | |
| II. | Contact Configuration | A - 1 form A (SPST-NO) | | |
| III. | Contact Type | D - Dry | | |
| IV. | Ampere Turn Range | 15 to 50 | | |

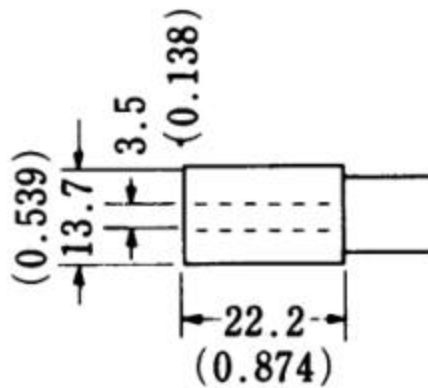
Greenwich Electronics, Inc.

RS1-1 Series Dimensions and Schematics (in inches and mm)



Test Coil 5002 Data

Number of Turns: 5000
 Wire Gauge: AWG#40
 Coil Resistance: 420 Ω



Greenwich Electronics, Inc.

RS1-2 Series

- General purpose reed switch
- Rhodium contacts

CONTACT

| | |
|-------------------------|------------------------------|
| Configuration | A: 1 form A (SPST-NO) |
| Position | Centered |
| Material | Rhodium |
| Rated Load | 10W |
| Max. Switching Voltage | 200VDC |
| Max. Switching Current | 0.5A |
| Max. Initial Resistance | 100m Ω |
| Max. Capacitance | 0.4pF |

CHARACTERISTICS

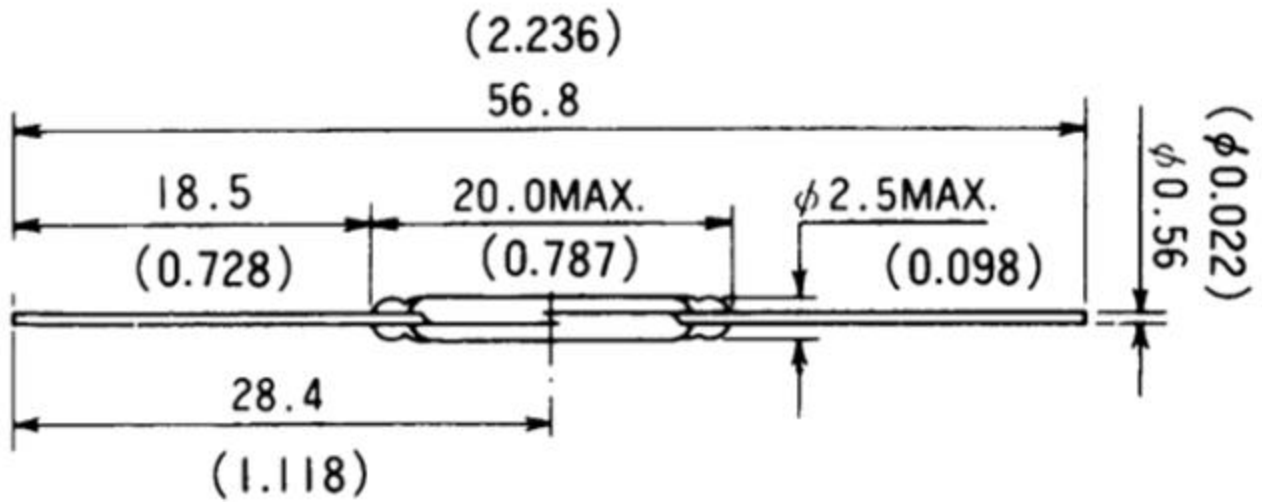
| | |
|-----------------------------|---|
| Pull-in Value | 15-50AT |
| Min. Drop-out Value | 6AT |
| Min. Dielectric Strength | 300VDC |
| Min. Insulation Resistance | 10 ¹⁰ Ω |
| Typ. Resonant Frequency | 3kHz |
| Electrical Life (Resistive) | 1 x 10 ⁷ (5VDC, 10mA) 1 x 10 ⁶ (100VDC, 100mA) |

ORDERING INFORMATION

| | | | | | |
|------|-----------------------|----------|----------|---|-------------------------------|
| | <u>RS1-2</u> | <u>A</u> | <u>D</u> | - | <u>3035</u> |
| | I | II | III | | IV |
| I. | Series | | | | RS1-2 |
| II. | Insulation Resistance | | | | nil - standard |
| II. | Contact Configuration | | | | A - 1 form A (SPST-NO) |
| III. | Contact Type | | | | D - Dry |
| IV. | Ampere Turn Range | | | | 15 to 50 |

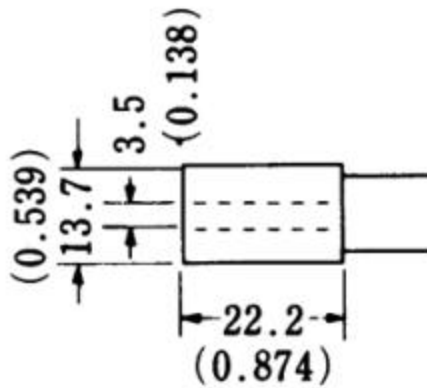
Greenwich Electronics, Inc.

RS1-2 Series Dimensions and Schematics (in inches and mm)



Test Coil 5002 Data

Number of Turns: 5000
 Wire Gauge: AWG#40
 Coil Resistance: 420 Ω



Greenwich Electronics, Inc.

RS1-3 Series

- General purpose reed switch
- Ruthenium contacts

CONTACT

| | |
|-------------------------|--------------------------------|
| Configuration | A: 1 form A (SPST-NO) |
| Position | Centered |
| Material | Ruthenium Oxide over Palladium |
| Rated Load | 10W |
| Max. Switching Voltage | 200VDC |
| Max. Switching Current | 0.5A |
| Max. Initial Resistance | 100m Ω |
| Max. Capacitance | 0.4pF |

CHARACTERISTICS

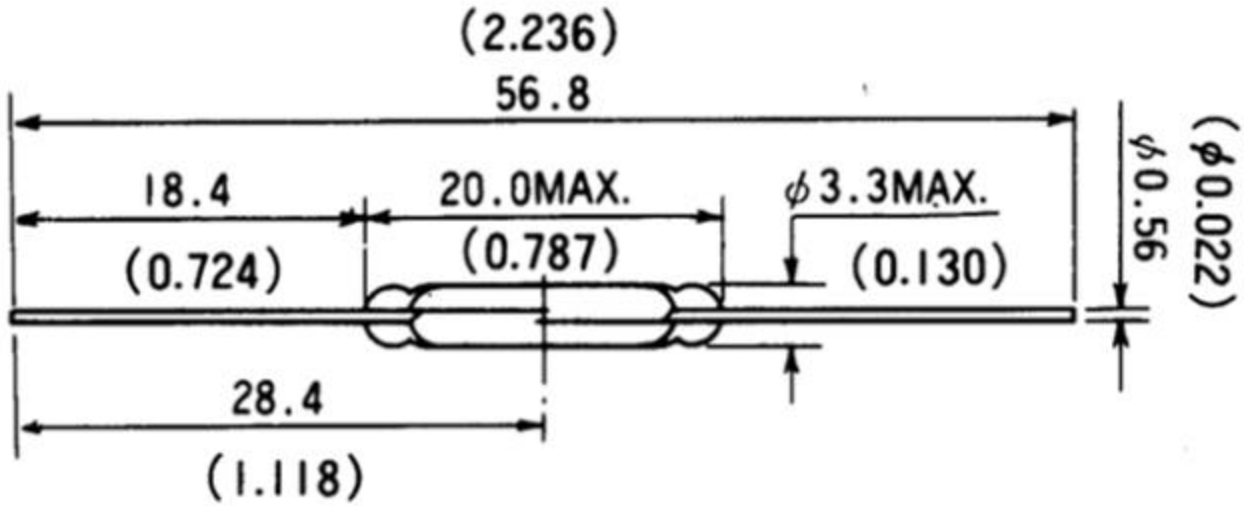
| | |
|-----------------------------|---|
| Pull-in Value | 15-70AT |
| Min. Drop-out Value | 6AT |
| Min. Dielectric Strength | 300VDC |
| Min. Insulation Resistance | 10 ¹⁰ Ω |
| Typ. Resonant Frequency | 2.2kHz |
| Electrical Life (Resistive) | 3 x 10 ⁷ (10VDC, 4mA) 2.5 x 10 ⁶ (20VDC, 0.5A) |

ORDERING INFORMATION

| | | | | | |
|------|-----------------------|-------------------------------|----------|---|-------------|
| | <u>RS1-3</u> | <u>A</u> | <u>D</u> | - | <u>3035</u> |
| | I | II | III | | IV |
| I. | Series | RS1-3 | | | |
| II. | Contact Configuration | A - 1 form A (SPST-NO) | | | |
| III. | Contact Type | D - Dry | | | |
| IV. | Ampere Turn Range | 15 to 70 | | | |

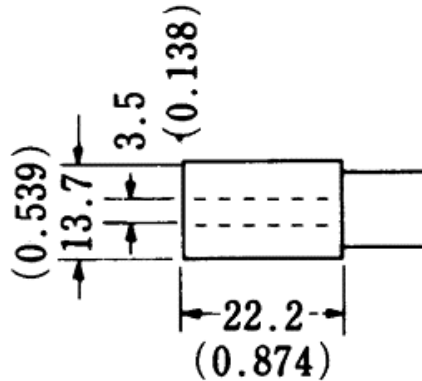
Greenwich Electronics, Inc.

RS1-3 Series Dimensions and Schematics (in inches and mm)



Test Coil 5002 Data

Number of Turns: 5000
 Wire Gauge: AWG#40
 Coil Resistance: 420 Ω



RS1-4 Series

- General purpose reed switch
- Rhodium contacts

CONTACT

| | |
|-------------------------|-----------------------|
| Configuration | A: 1 form A (SPST-NO) |
| Position | Off-Center |
| Material | Rhodium |
| Rated Load | 15W |
| Max. Switching Voltage | 250VDC |
| Max. Switching Current | 1.0A |
| Max. Initial Resistance | 60m Ω |
| Max. Capacitance | 0.8pF |

CHARACTERISTICS

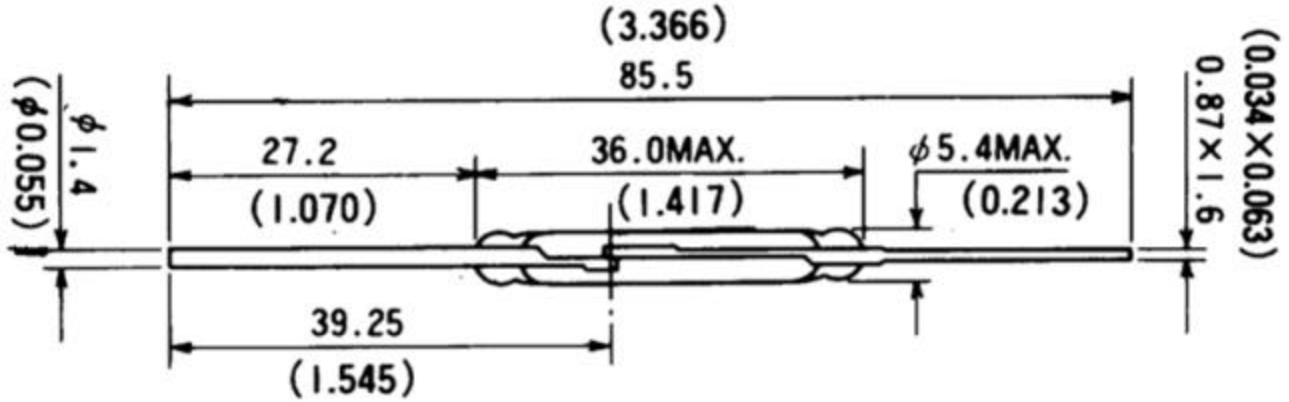
| | |
|-----------------------------|---|
| Pull-in Value | 30-120AT |
| Min. Drop-out Value | 13AT |
| Min. Dielectric Strength | 400VDC |
| Min. Insulation Resistance | 10 ⁸ Ω |
| Typ. Resonant Frequency | 0.9kHz |
| Electrical Life (Resistive) | 1 x 10 ⁷ (24VDC, 0.1A) 7 x 10 ⁶ (100VDC, 0.1A) |

ORDERING INFORMATION

| | | | | |
|---------------------------|-------------------------------|----------|---|---------------|
| <u>RS1-4</u> | <u>A</u> | <u>D</u> | - | <u>100105</u> |
| I | II | III | | IV |
| I. Series | RS1-4 | | | |
| II. Contact Configuration | A - 1 form A (SPST-NO) | | | |
| III. Contact Type | D - Dry | | | |
| IV. Ampere Turn Range | 30 to 120 | | | |

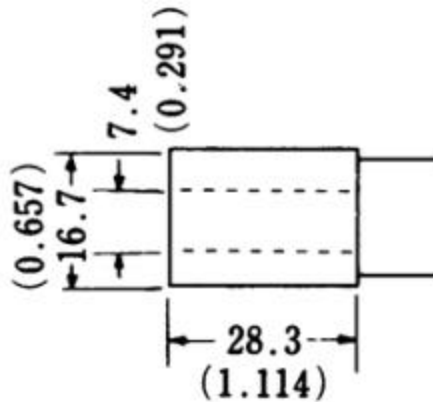
Greenwich Electronics, Inc.

RS1-4 Series Dimensions and Schematics (in inches and mm)



Test Coil 10001 Data

Number of Turns: 10000
 Wire Gauge: AWG#41
 Coil Resistance: 1630 Ω



Greenwich Electronics, Inc.

RS1-5 Series

- General purpose reed switch
- Ruthenium contacts

CONTACT

| | |
|-------------------------|------------------------------|
| Configuration | A: 1 form A (SPST-NO) |
| Position | Centered |
| Material | Ruthenium |
| Rated Load | 15W |
| Max. Switching Voltage | 250VDC |
| Max. Switching Current | 3.0A |
| Max. Initial Resistance | 60m Ω |
| Max. Capacitance | 0.8pF |

CHARACTERISTICS

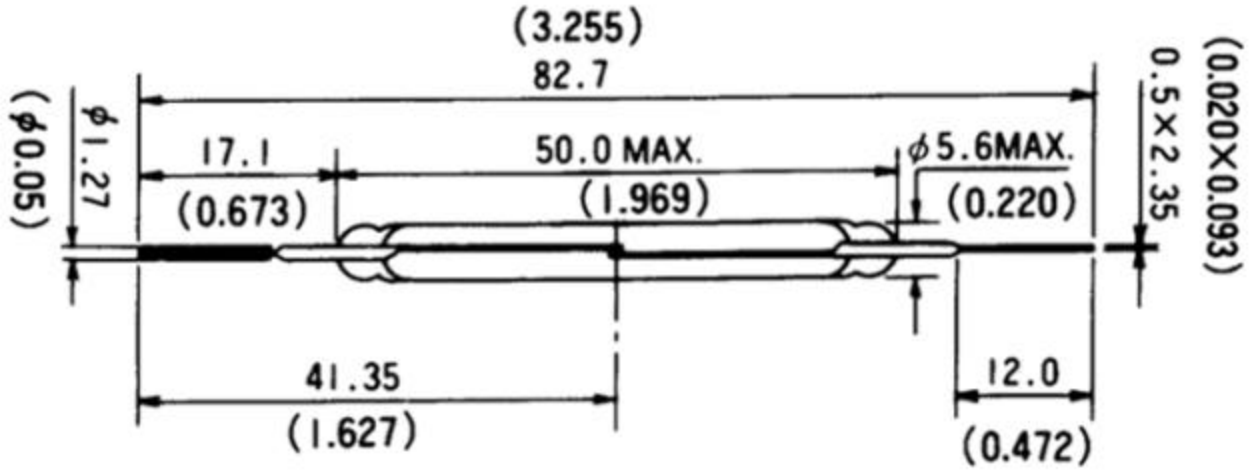
| | |
|-----------------------------|---|
| Pull-in Value | 40-110AT |
| Min. Drop-out Value | 13AT |
| Min. Dielectric Strength | 500VDC |
| Min. Insulation Resistance | 10 ⁹ Ω |
| Typ. Resonant Frequency | 0.8kHz |
| Electrical Life (Resistive) | 1 x 10 ⁷ (10VDC, 0.1A) 1 x 10 ⁶ (100VDC, 0.1A) |

ORDERING INFORMATION

| | | | | | |
|------|-----------------------|-------------------------------|----------|---|-------------|
| | <u>RS1-5</u> | <u>A</u> | <u>D</u> | - | <u>7075</u> |
| | I | II | III | | IV |
| I. | Series | RS1-5 | | | |
| II. | Contact Configuration | A - 1 form A (SPST-NO) | | | |
| III. | Contact Type | D - Dry | | | |
| IV. | Ampere Turn Range | 40 to 110 | | | |

Greenwich Electronics, Inc.

RS1-5 Series Dimensions and Schematics (in inches and mm)



Test Coil 10002 Data

Number of Turns: 10000
 Wire Gauge: AWG#38
 Coil Resistance: 670 Ω

