
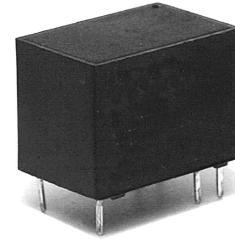


# Greenwich Electronics, Inc.

## LS1 Series

- Subminiature package switching to 5A
- Three coil sensitivities available
- Gold flashed contacts
- Industry standard footprint (5 and 6 pin)
- Approvals: us (E197070)
- Applications: telecommunications, timers



### COIL DATA

Nominal Voltage (DC)	Nominal Coil Current (mA) (± 10% at 20°C)			Coil Resistance (Ω) (± 10% at 20°C)		
	Low sens. (L)	Std coil	High sens. (H)	Low sens. (L)	Std coil	High sens. (H)
3	150	120	67	20	25	45
5	91	71	40	56	70	120
6	75	60	33	80	100	180
9	50	41	23	180	220	400
12	38	30	17	320	400	700
24	19	15	9	1280	1600	2800

Pick-up Voltage	≤75% nominal
Drop-out Voltage	≥10% nominal
Max. Coil Voltage	110% nominal
Coil Consumption	<b>L:</b> ~ 0.45W, <b>Std:</b> ~ 0.36W, <b>H:</b> ~ 0.2W

### Contact

Configuration	<b>C:</b> 1 form C (SPDT)
Material	Silver (Ag) alloy with Gold (Au) flash
Rated Load	<b>1:</b> 1A@30VDC / 125VAC <b>3:</b> 3A@30VDC / 125VAC <b>5:</b> 5A@14VDC / 125VAC (Type “L” coil only)
Max. Carry Current	5A
Max. Switching Voltage	60VDC / 220VAC
Max. Switching Current	5A
Max. Switching Power	90W / 625VA

# Greenwich Electronics, Inc.

## CHARACTERISTICS

Contact Resistance	Max. 50mΩ
Operate Time	≤5ms
Release Time	≤5ms
Insulation Resistance	100MΩ (@500VDC)
Dielectric Strength:	
• Between coil and contacts	500VAC - one minute
• Between open contacts	500VAC - one minute
Vibration Resistance	10-55Hz, 1.5mm, double amplitude
Shock Resistance	10g
Ambient Temperature	
• Operate	-25°C to 75°C
• Storage	-25°C to 125°C
Relative Humidity	35% - 85%@20°C
Life Expectancy:	
• Mechanical	1 x 10 <sup>7</sup>
• Electrical	1 x 10 <sup>5</sup> (at rated load)
Weight	Approx. 4 grams

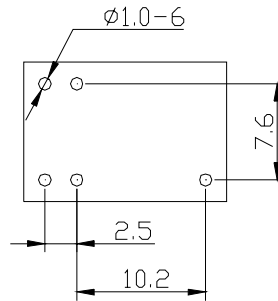
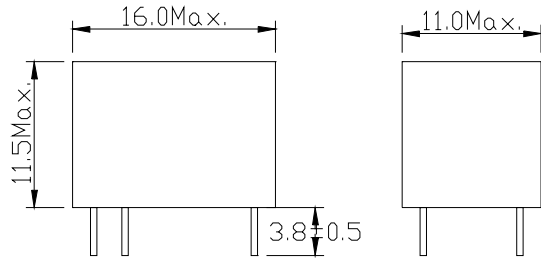
## ORDERING INFORMATION

<u>LS1</u>	-	<u>XXX</u>	-	<u>6</u>	<u>H</u>	<u>3</u>	<u>S</u>
I		II		III	IV	V	VI
I.	Series			<b>LS1</b>			
II.	Coil Voltage (VDC)			<b>003, 005, 006, 009, 012, 024</b>			
III.	Pin-out			<b>5</b> - 5 pin, <b>6</b> - 6 pin			
IV.	Coil Sensitivity			<b>nil</b> - Standard, <b>L</b> - Low sensitivity, <b>H</b> - High Sensitivity			
V.	Contact Rating			<b>1</b> - 1A, <b>3</b> - 3A, <b>5</b> - 5A (Type "L" coil, 6 pin only)			
VI.	Package Type			<b>D</b> - Dust Cover, <b>S</b> - Sealed			

# Greenwich Electronics, Inc.

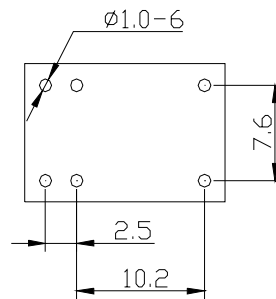
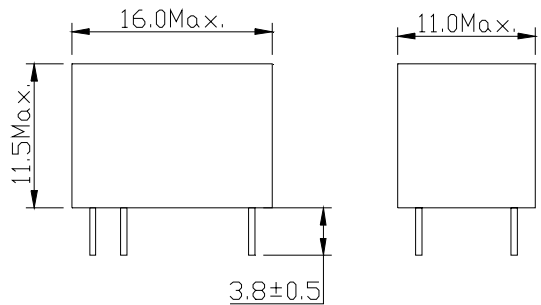
## LS1 Series Dimensions and Schematics (in mm)

### LS1 – 5 pin



Terminal arrangement and wiring diagram

### LS1 – 6 pin



Terminal arrangement and wiring diagram