
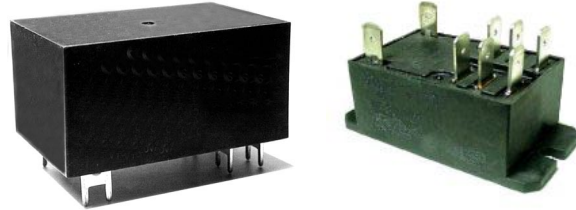


# Greenwich Electronics, Inc.

## HD2 Series

- Standard PCB or panel mount
- AC and DC coils
- 30A DPDT
- Approvals:  us (E197071)
- Applications: heaters, industrial and motor controls, appliances, general purpose



### COIL DATA

Nominal Voltage (DC)	Nominal Coil Current (mA) (± 10% at 20°C)	Coil Resistance (Ω) (± 10% at 20°C)	Nominal Voltage (AC) @60Hz	Nominal Coil Current (mA) (± 10% at 20°C)	Coil Resistance (Ω) (± 10% at 20°C)
6	273	22	12	1200	10
12	140	86	24	615	39
24	69	350	120	126	950
48	34	1390	240	63	3800
110	15	7255	277	51	5200

Pick-up Voltage

**DC:** ≤75% nominal, **AC:** ≤80% nominal

Drop-out Voltage

**DC:** ≥10% nominal, **AC:** ≥20% nominal

Max. Coil Voltage

**DC/AC:** 110% nominal

Coil Consumption

**DC:** Approx. 1.7W, **AC:** Approx 4.0VA

### Contact

Configuration

**2A:** 2 form A (DPST-NO), **2C:** 2 form C (DPDT)

Material

AgSnO<sub>2</sub>

Rated Load

**NO:** 30A@120 / 277VAC, 20A@28VDC  
1hp@120VAC, 2.5hp@250VAC, TV-10  
**NC:** 3A@277VAC / 28VDC; 2A@480VAC,  
1A@600VAC

Max. Carry Current

30A, Inrush 72A

Max. Switching Voltage

277VAC

Max. Switching Current

30A

Max. Switching Power

840W, 8300VA

# Greenwich Electronics, Inc.

## CHARACTERISTICS

Contact Resistance	Max. 50mΩ
Operate Time	≤15ms
Release Time	≤10ms
Insulation Resistance	1000MΩ (@500VDC)
Dielectric Strength:	
• Between coil and contacts	4000VAC - 50Hz / one minute
• Between open contacts	1500VAC - 50Hz / one minute
• Between contact sets	2000VAC - 50Hz / one minute
Vibration Resistance	10-55Hz, 1.65mm, double amplitude
Shock Resistance	10g (functional)
Ambient Temperature	
• Storage	-55 <sup>0</sup> C to 155 <sup>0</sup> C
• Operate	<b>DC:</b> -55 <sup>0</sup> C to 85 <sup>0</sup> C, <b>AC:</b> -40 <sup>0</sup> C to 65 <sup>0</sup> C
Relative Humidity	35% - 85%
Life Expectancy:	
• Mechanical	5 x 10 <sup>6</sup>
• Electrical	1 x 10 <sup>5</sup> (at rated load)
Weight	Approx. 86g

## ORDERING INFORMATION

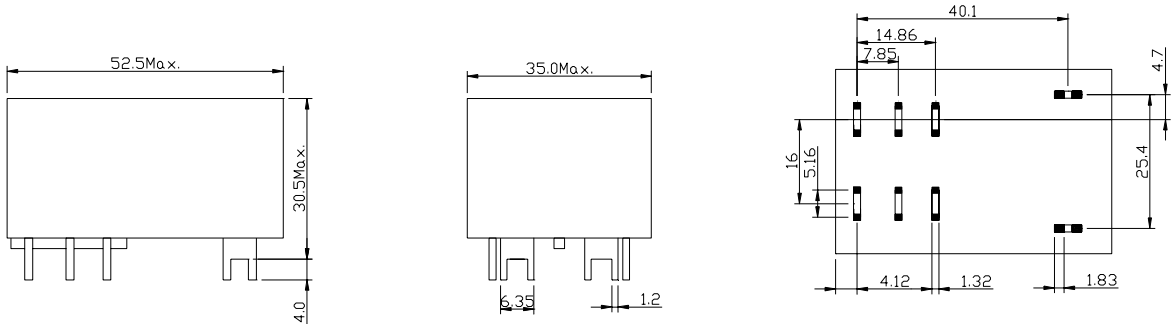
	<u>HD2</u>	-	<u>110D</u>	-	<u>2A</u>	<u>PM</u>	<u>1</u>	<u>S</u>
	I		II		III	IV	V	VI
I.	Series				<b>HD2</b>			
II.	Coil Voltage (VDC)				<b>DC: 006, 012, 024, 048, 110</b>			
					<b>AC: 012, 024, 120, 240, 277</b>			
					<b>D - DC, A - AC</b>			
III.	Contact Configuration				<b>2A - 2 form A (DPST-NO), 2C - 2 form C (DPDT)</b>			
IV.	Mounting Style				<b>PC - PCB, PM - Panel mount</b>			
V.	Terminal code				<b>1 - PM with 4.75mm coil / 6.35mm contact terminations</b>			
					<b>2 - PM with 6.35mm coil and contact terminations</b>			
VI.	Package Type				<b>D - dust cover, S - Sealed</b>			

# Greenwich Electronics, Inc.

## HD2 Series Dimensions and Schematics (in mm)

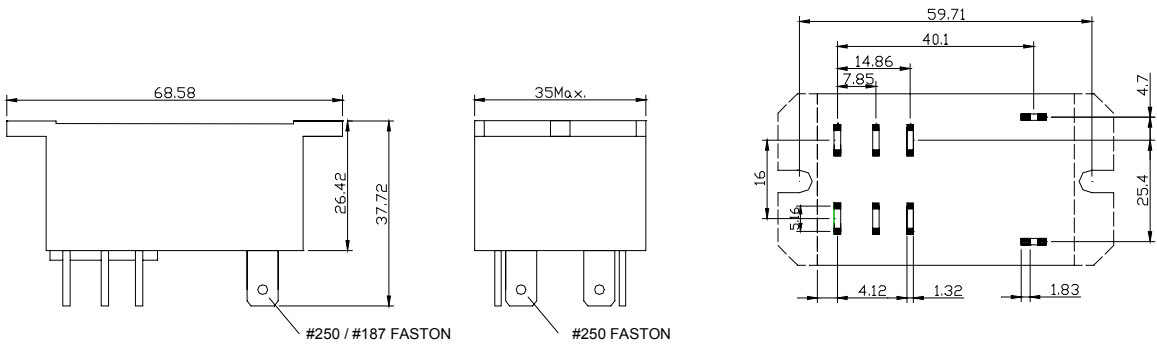
### HD2 - PC style

#### Mounting and PC pin dimensions



### HD2 - PM style

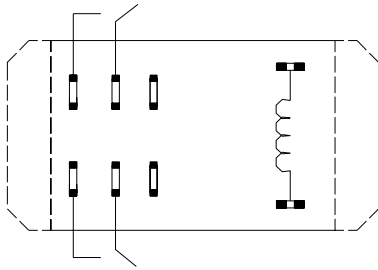
#### Mounting and terminal dimensions



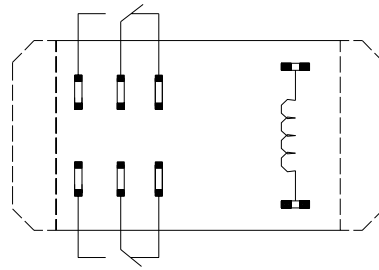
# Greenwich Electronics, Inc.

## HD2 Series Terminal Arrangement

Terminal arrangement and wiring diagram



DPST-NO - 2 form A



DPDT - 2 form C