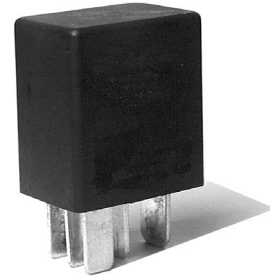


# Greenwich Electronics, Inc.

## AR4 Series

- Standard automotive type relay
- SPDT-NO 25A capacity
- Coil paralleled diode or resistor
- High temperature design
- Applications: automotive, industrial machinery, motor controls, general purpose



### COIL DATA

Nominal Voltage (DC)	Nominal Coil Current (mA)		Coil Resistance ( $\Omega$ )	
	( $\pm 10\%$ at $20^{\circ}\text{C}$ )		( $\pm 10\%$ at $20^{\circ}\text{C}$ )	
	<b>SPST</b>	<b>SPDT</b>	<b>SPST</b>	<b>SPDT</b>
6	200	250	30	25
12	100	124	120	96
24	50	62.5	480	384

Pick-up Voltage	$\leq 60\%$ nominal ( $\leq 65\%$ nominal for sealed model)
Drop-out Voltage	$\geq 10\%$ nominal
Max. Coil Voltage	$\leq 130\%$ nominal
Coil Consumption	<b>SPST:</b> Approx. 1.2W, <b>SPDT:</b> Approx. 1.5W

### Contact

Configuration	<b>A:</b> 1 form A (SPST-NO), <b>C:</b> 1 form C (SPDT)
Material	Silver (Ag) alloy
Rated Load	<b>NO:</b> 25A@14VDC, <b>NC:</b> 20A@14VDC
Initial Voltage Drop	SPST: $\leq 200\text{mV}$ (@ 25A)
Max. Carry Current	<b>NO:</b> 30A
Max. Switching Voltage	75VDC
Max. Switching Current	<b>NO:</b> 25A
Max. Switching Power	350W

### CHARACTERISTICS

Contact Resistance	Max. $50\text{m}\Omega$ (0.1A/6V)
Operate Time	$\leq 10\text{ms}$
Release Time	$\leq 7\text{ms}$
Insulation Resistance	Min. $100\text{M}\Omega$ (@500VDC)

# Greenwich Electronics, Inc.

**Dielectric Strength:**

- Between coil and contacts 500VAC / one minute
- Between open contacts 500VAC / one minute

**Vibration Resistance**

10-40Hz, 1.27mm double amplitude

**Shock Resistance**

Approx. 10g

**Ambient Temperature:**

- Storage -40<sup>0</sup>C to 155<sup>0</sup>C
- Operate -40<sup>0</sup>C to 85<sup>0</sup>C

**Relative Humidity**

20% - 85%

**Life Expectancy:**

- Mechanical 1 x 10<sup>7</sup>
- Electrical 1 x 10<sup>5</sup> (at rated load)

**Weight**

Approx. 19 grams

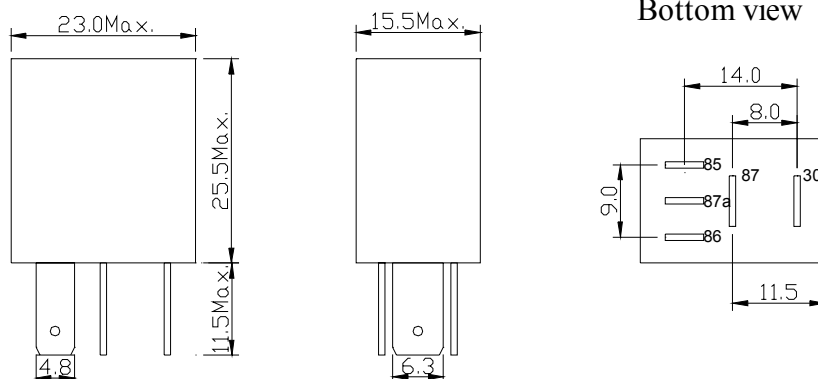
**ORDERING INFORMATION**

AR4 - 006 - A 1 2 S  
 I II III IV V VI

- I. Series **AR4**
- II. Coil Voltage (VDC) **006, 012, 024**
- III. Contact configuration **A - 1 form A (SPST-NO), C - 1 form C (SPDT)**
- IV. Coil Paralleled Component **0 - No component, 1 - Resistor, 2 - Diode**
- V. Connection Type **1 - Plug-in with 4.8mm terminals, 2 - PCB, 3 - Plug-in with 2.75mm terminals**
- VI. Package Type **nil - dust cover, S - Sealed**

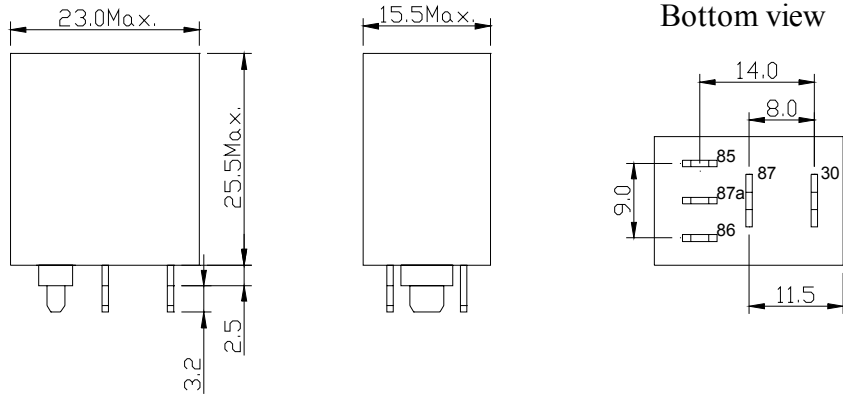
**AR4 Series Dimensions and Schematics (in mm)**

**AR4 – 1 style (4.8mm contact terminals)**

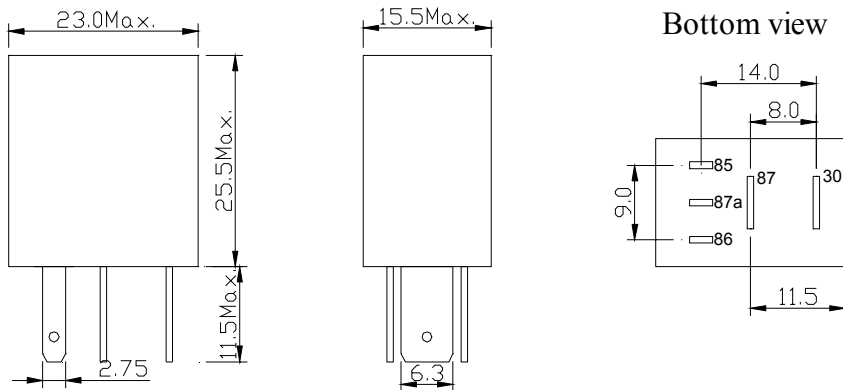


# Greenwich Electronics, Inc.

## AR4 – 2 style (PCB terminals)



## AR4 – 3 style (2.75mm contact terminals)



## Terminal arrangement and wiring diagram

